
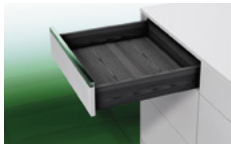
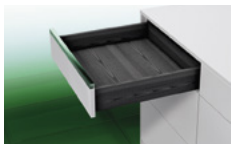
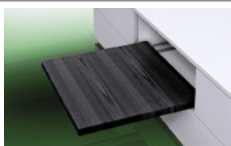
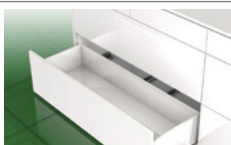


# Dynapro

## Slide system

Synchronised full extension slide with four-dimensional adjustment facility with 40 kg and 70 kg load capacity. Slide-on assembly.

	Product description	Page
	<b>Dynapro full extension slide 40/70 kg Soft-close</b> <ul style="list-style-type: none"> <li>• Soft-close damping system</li> <li>• 4-dimensional adjustment (side, height, tilt angle and depth adjustment)</li> </ul>	536
	<b>Dynapro full extension slide 40/70 kg Tipmatic Soft-close</b> <ul style="list-style-type: none"> <li>• Tipmatic Soft-close opening system</li> <li>• 4-dimensional adjustment (side, height, tilt angle and depth adjustment)</li> </ul>	540
	<b>Dynapro full extension slide 40/60 kg Tipmatic</b> <ul style="list-style-type: none"> <li>• Tipmatic opening system</li> <li>• 4-dimensional adjustment (side, height, tilt angle and depth adjustment)</li> </ul>	542
	<b>Dynapro for bottom panel mounting and pull-out shelf</b> <ul style="list-style-type: none"> <li>• Assembly on the cabinet base or shelf</li> <li>• Shelf clip set</li> </ul>	544
	<b>Application examples</b> <ul style="list-style-type: none"> <li>• Dynapro Tipmatic Soft-close in double cabinet</li> <li>• Extra-wide drawer</li> </ul>	546
	<b>Technical information</b>	550
	<b>Assembly aids</b>	668

1

2

3

4

5

6

7

8

# DYNAPRO SOFT-CLOSE

Full extension slide 40/70 kg



- Excellent running characteristics
- Fully synchronised slide technology
- Soft-close damping system
- Maximum lateral stability
- Minimum drawer deflection
- Stepless self-locking of the drawer when pushed onto the slide
- Tool-free 4D adjustment facility with zamak front locking device:
  - Height adjustment + 3.5 mm
  - Tilt angle adjustment + 4 mm
  - Side adjustment ± 1.5 mm
  - Depth adjustment + 3.5 mm (optional)

## ORDER INFORMATION

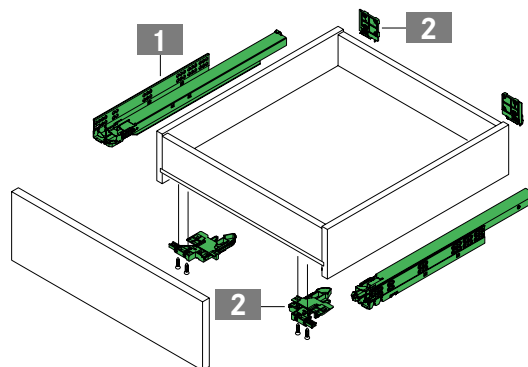
1 Dynapro full extension slide Soft-close Set: one left, one right					
NL	40 kg			70 kg	
	Art. No.			Art. No.	
250	F130107790			-	
270	F130107793			-	
300	F130107796			-	
320	F130107799			-	
350	F130107802			-	
380	F130107805			-	
400	F130107808			-	
420	F130107811			-	
450	F130107814			F130107832	
480	F130107817			-	
500	F130107820			F130107838	
520	F130107823			F130107841	
550	F130107826			F130107844	
580	-			F130107847	
600	F130107829			F130107850	
650	-			F130107853	
700*	-			F130107856	
750*	-			F130107859	

\* Load capacity 50 kg

2 Dynapro 3D set Front locking device (2D) and adjustment adapter (1D), one left, one right					
Art. No.					
F134125074					

Individual components					
Description					
Front locking device (2D) Set: one left, one right			Art. No. F134115305		
Adjustment adapter (1D) Set: one left, one right			Art. No. F134115306		

Optional: Depth adjustment (1D) for Dynapro 3D set Set: one left, one right					
Art. No.					
F134101313					

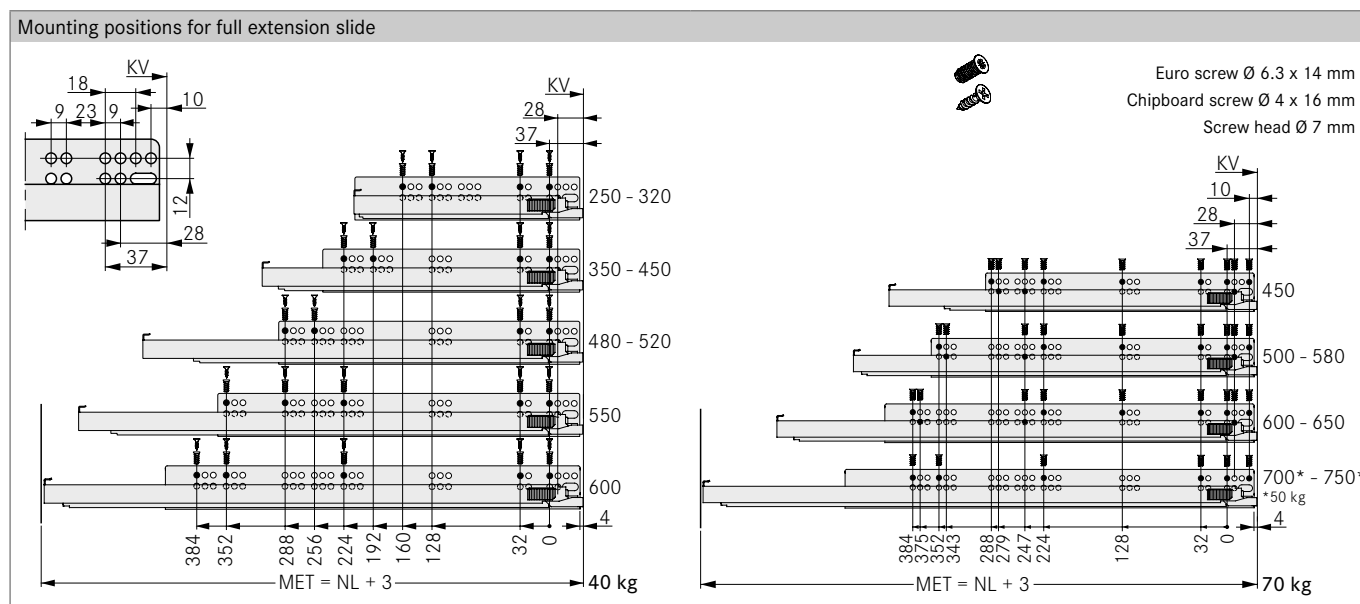
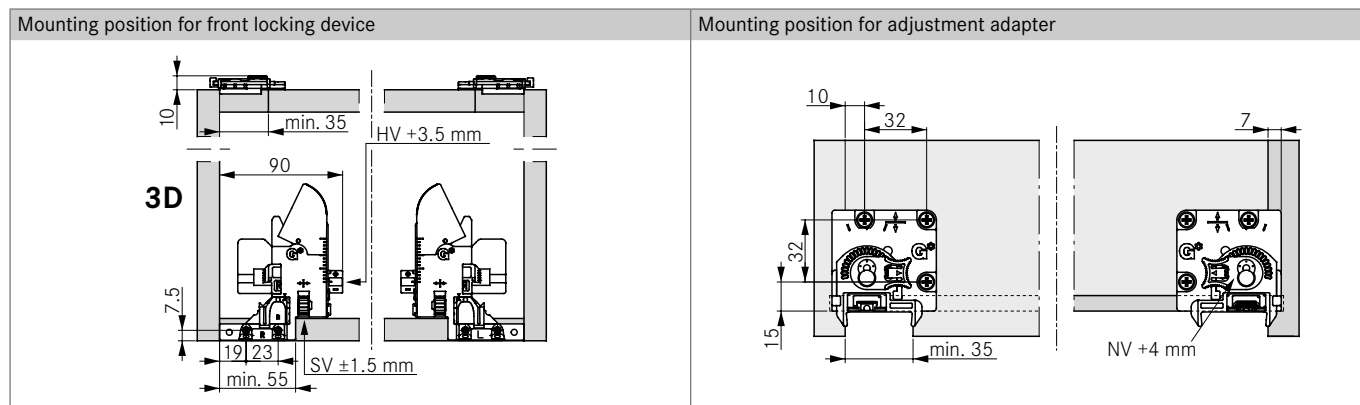
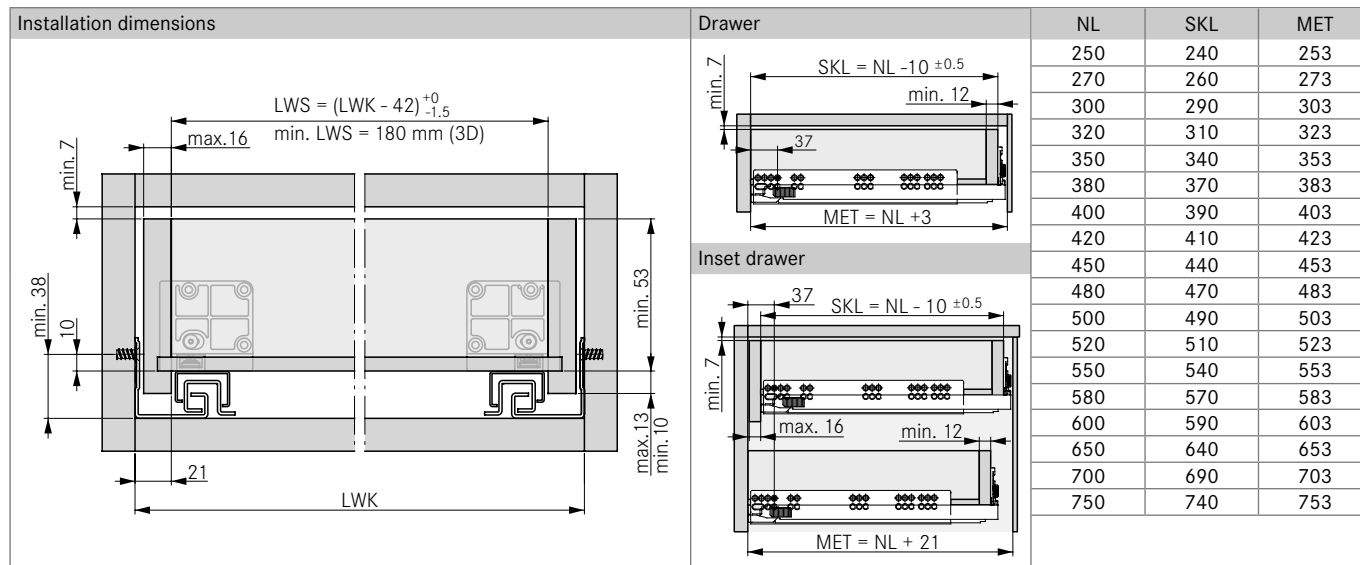


## PAGE REFERENCES

Pull-out shelf	544	Sensomatic	617		
Application examples	546	Assembly aids	668		
Technical information	550				

PLANNING DIMENSIONS

All dimensions in millimetres

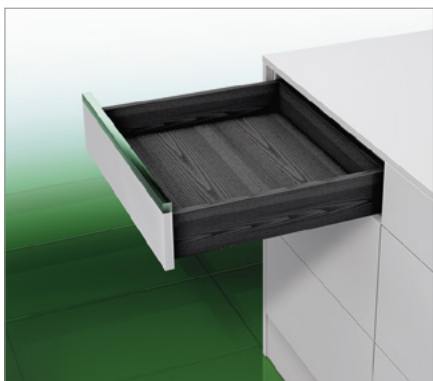


LEGEND

HV	Height adjustment	MET	Minimum installation depth	SV	Side adjustment
KV	Cabinet front edge	NL	Nominal length	TV	Depth adjustment
LWK	Inside cabinet width	NV	Tilt angle adjustment		
LWS	Inside drawer width	SKL	Drawer length		

# DYNAPRO SOFT-CLOSE

Full extension slide 40/70 kg



- Excellent running characteristics
- Fully synchronised slide technology
- Soft-close damping system
- Maximum lateral stability
- Minimum drawer deflection
- Stepless self-locking of the drawer when pushed onto the slide
- Tool-free 2D/3D/4D adjustment facility with plastic front locking devices:
  - Height adjustment + 3.5 mm
  - Tilt angle adjustment + 4 mm
  - Side adjustment ± 1.5 mm (3D/4D set only)
  - Depth adjustment + 3.5 mm (4D set only)

## ORDER INFORMATION

1 Dynapro full extension slide Soft-close Set: one left, one right				
NL	40 kg		70 kg	
	Art. No.		Art. No.	
250	F130107790		-	
270	F130107793		-	
300	F130107796		-	
320	F130107799		-	
350	F130107802		-	
380	F130107805		-	
400	F130107808		-	
420	F130107811		-	
450	F130107814		F130107832	
480	F130107817		-	
500	F130107820		F130107838	
520	F130107823		F130107841	
550	F130107826		F130107844	
580	-		F130107847	
600	F130107829		F130107850	
650	-		F130107853	
700*	-		F130107856	
750*	-		F130107859	

\* Load capacity 50 kg

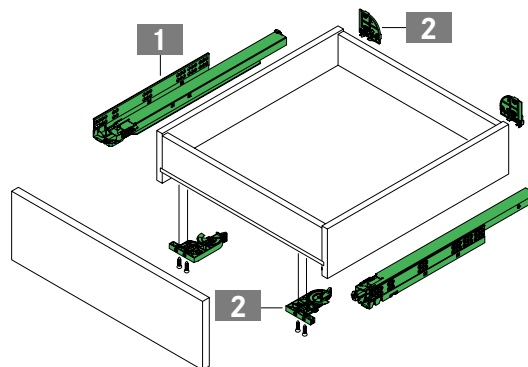
2a Dynapro 4D set Front locking device (3D) and adjustment adapter (1D), one left, one right			
Art. No.			
F134108955			

2b Dynapro 3D set Front locking device (2D) and adjustment adapter (1D), one left, one right			
Art. No.			
F134108956			

2c Dynapro 2D set Front locking device (1D) and adjustment adapter (1D), one left, one right			
Art. No.			
F134117193			

Individual components			
Description	Art. No.		
Front locking device (1D) Set: one left, one right	F134140216		
Adjustment adapter (1D) Set: one left, one right	F134115306		
Front locking device (2D) Set: one left, one right	F134108949		
Front locking device (3D) Set: one left, one right	F134108946		
Adjustment adapter (1D) Set: one left, one right	F134108952		

Optional: Depth adjustment (1D) for front locking device (2D) Set: one left, one right			
Art. No.			
F134108957			



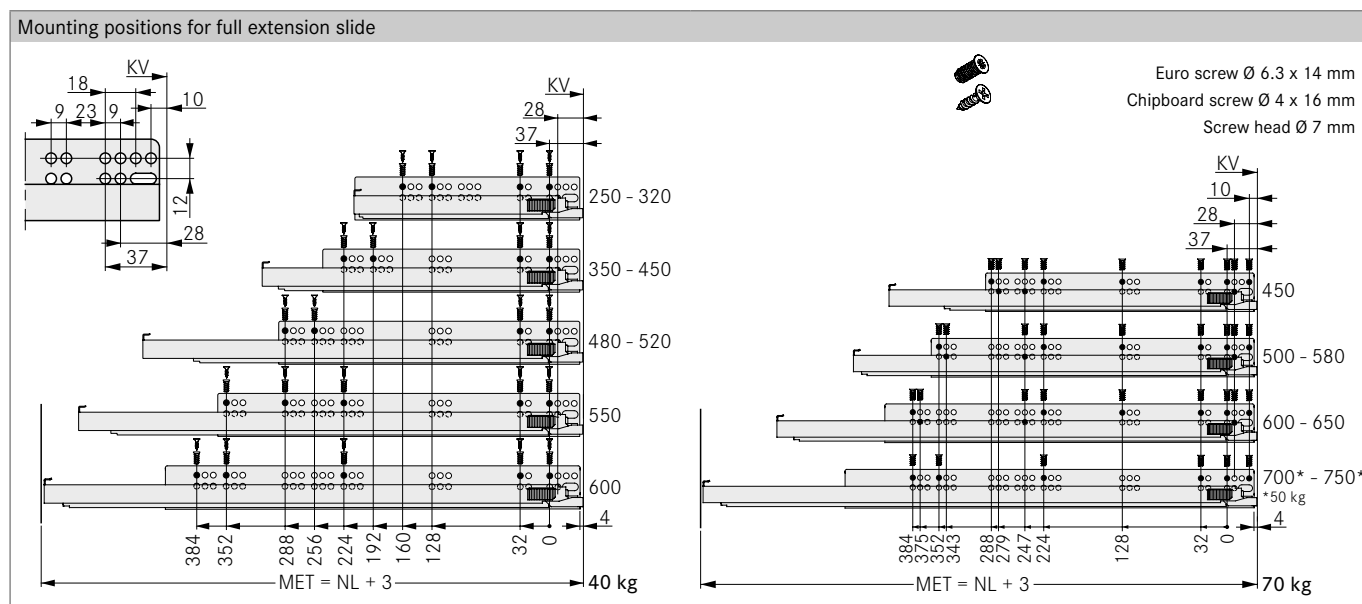
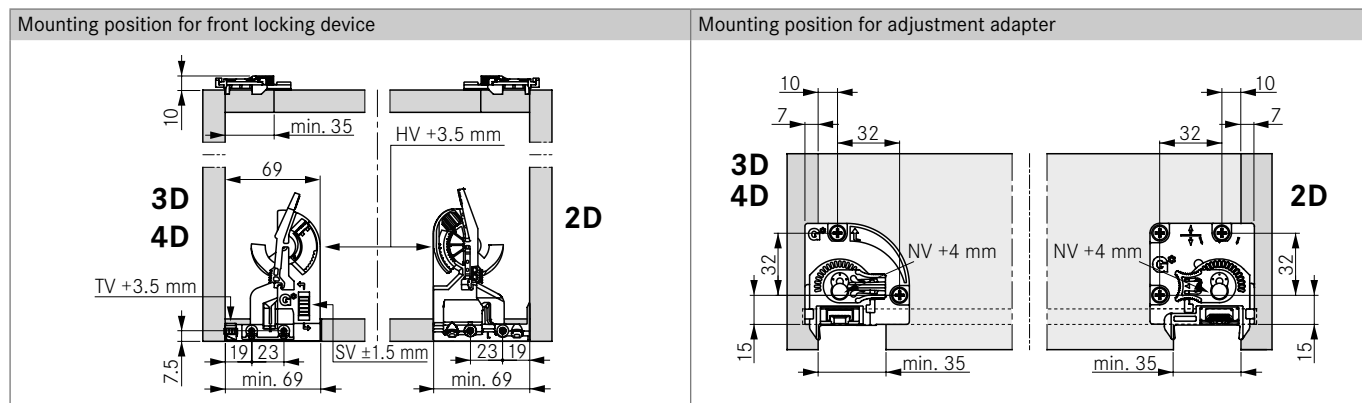
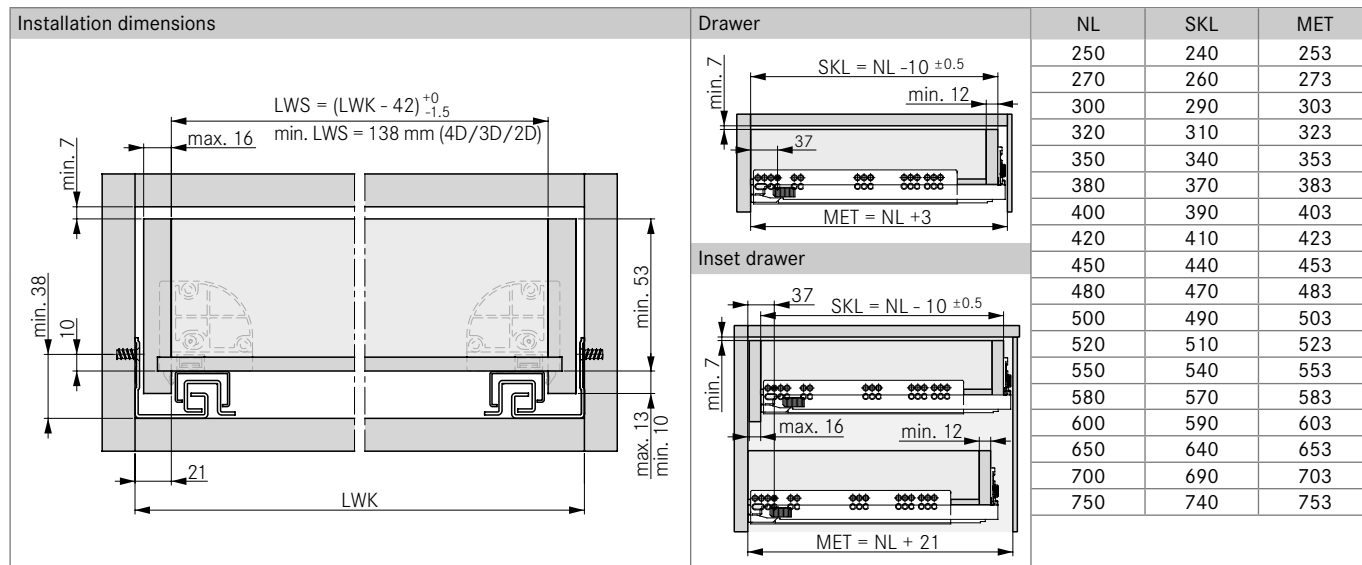
## PAGE REFERENCES

Pull-out shelf	544	Sensomatic	617		
Application examples	546	Assembly aids	668		
Technical information	550				



PLANNING DIMENSIONS

All dimensions in millimetres



LEGEND

HV	Height adjustment	MET	Minimum installation depth	SV	Side adjustment
KV	Cabinet front edge	NL	Nominal length	TV	Depth adjustment
LWK	Inside cabinet width	NV	Tilt angle adjustment		
LWS	Inside drawer width	SKL	Drawer length		

# DYNAPRO TIPMATIC SOFT-CLOSE

Full extension slide 40/70 kg



- Mechanical opening system for handle-free fronts
- Combines Tipmatic function with Soft-close damper
- Tool-free installation of the Tipmatic Soft-close unit
- One unit for all nominal lengths and weight classes
- 3-stage adjustment of the opening force
- Large activation zone through synchronisation rod
- Tool-free 4D adjustment facility with Zamak front locking device:
  - Height adjustment + 3.5 mm
  - Tilt angle adjustment + 4 mm
  - Side adjustment ± 1.5 mm
  - Front gap adjustment +3/-1 mm (via Tipmatic Soft-close unit)



## ORDER INFORMATION

1 Dynapro full extension slide Soft-close Set: one left, one right				
NL	40 kg		70 kg	
	Art. No.		Art. No.	
270	F130107793		-	
300	F130107796		-	
320	F130107799		-	
350	F130107802		-	
380	F130107805		-	
400	F130107808		-	
420	F130107811		-	
450	F130107814		F130107832	
480	F130107817		-	
500	F130107820		F130107838	
520	F130107823		F130107841	
550	F130107826		F130107844	
580	-		F130107847	
600	F130107829		F130107850	
650	-		F130107853	
700*	-		F130107856	
750*	-		F130107859	

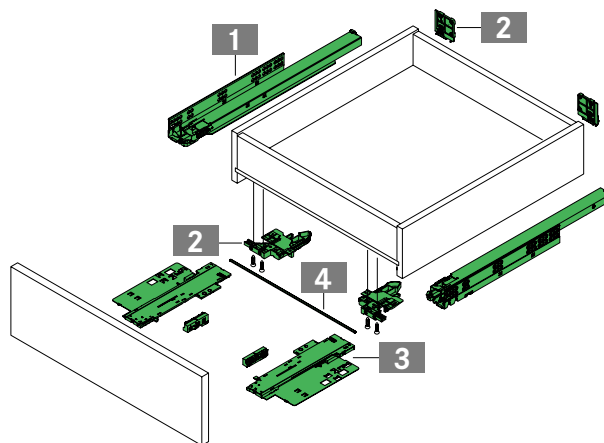
\* Load capacity 50 kg

4 Synchronisation rod Single item: for cutting to length			
L	Art. No.		
952	F134109410		
1562	F102109394		
1952	F134131408		

Individual components			
Description	Art. No.		
Dynapro Tipmatic Soft-close unit Set: one left, one right	F134109324		
Dynapro Tipmatic Soft-close activator Set: one left, one right	F134109325		
Front locking device (2D) Set: one left, one right	F134115305		
Adjustment adapter (1D) Set: one left, one right	F134115306		

2 Dynapro 3D set Front locking device (2D) and adjustment adapter (1D), one left, one right			
Art. No.			
F134125074			

3 Dynapro Tipmatic Soft-close (1D) Set: unit and activator, one left, one right			
Art. No.			
F134109323			



## PAGE REFERENCES

Pull-out shelf	544	Assembly aids	668		
Application examples	546				
Technical information	550				

PLANNING DIMENSIONS

All dimensions in millimetres

**Installation dimensions**

$LWS = (LWK - 42)_{-1.5}^{+0}$   
min. LWS = 226 mm

min. 7, max. 16, min. 38, min. 53, max. 13, min. 10, 21, LWK, min. LWK = 268

**Drawer**

$SKL = NL - 10 \pm 0.5$   
min. 2.5, min. 12, 37, MET = NL + 3, min. 7

**Inset drawer**

$SKL = NL - 10 \pm 0.5$   
min. 2.5, max. 16, min. 12, MET = NL + 21, min. 7

	NL	SKL	MET
	270	260	273
	300	290	303
	320	310	323
	350	340	353
	380	370	383
	400	390	403
	420	410	423
	450	440	453
	480	470	483
	500	490	503
	520	510	523
	550	540	553
	580	570	583
	600	590	603
	650	640	653
	700	690	703
	750	740	753

**Cutting dimensions for synchronisation rod**

LWK - 216

**Mounting position for front locking device**

10, min. 35, HV + 3.5 mm, 90, 7.5, 19, 23, min. 55, SV ± 1.5 mm

**Mounting position for adjustment adapter**

10, 32, Z, 32, 15, min. 35, NV + 4 mm

**Position for the synchronisation rod**

NL	A	B
270 - 320	248	265
350 - 750	283	300

**Mounting positions for full extension slide**

Euro screw  $\varnothing 6.3 \times 14$  mm  
Chipboard screw  $\varnothing 4 \times 16$  mm  
Screw head  $\varnothing 7$  mm

270 - 320, 350 - 450, 480 - 520, 550, 600, 700\* - 750\*  
KV, 18, 9, 23, 9, 10, 12, 28, 37, 384, 352, 288, 256, 224, 192, 160, 128, 32, 0, 4, MET = NL + 3, 40 kg, 70 kg

LEGEND

HV	Height adjustment	LWS	Inside drawer width	SKL	Drawer length
KV	Cabinet front edge	MET	Minimum installation depth	SV	Side adjustment
L	Length	NL	Nominal length		
LWK	Inside cabinet width	NV	Tilt angle adjustment		

# DYNAPRO TIPMATIC

Full extension slide 40/60 kg



- Full extension slide Tipmatic for handle-free fronts
- Tipmatic opening unit integrated into the slide
- Excellent running characteristics
- Fully synchronised slide technology
- Maximum lateral stability
- Minimum drawer deflection
- Tool-free 4D adjustment facility with Zamak front locking device:
  - Height adjustment + 3.5 mm
  - Tilt angle adjustment + 4 mm
  - Side adjustment ± 1.5 mm
  - Front gap adjustment + 1.5 mm (via Tipmatic slide)

## ORDER INFORMATION

1 Dynapro full extension slide Tipmatic Set: one left, one right				
NL	40 kg		60 kg	
	Art. No.		Art. No.	
250	F130117458		-	
270	F130117459		-	
300	F130117460		-	
320	F130117461		-	
350	F130117462		-	
380	F130116955		-	
400	F130117463		-	
420	F130117464		-	
450	F130117465		F130117470	
480	F130117466		-	
500	F130117467		F130117471	
520	F130116956		F130116957	
550	F130117468		F130117472	
580	-		F130117473	
600	-		F130116941	
650	-		F130117474	
700*	-		F130117534	
750*	-		F130117535	

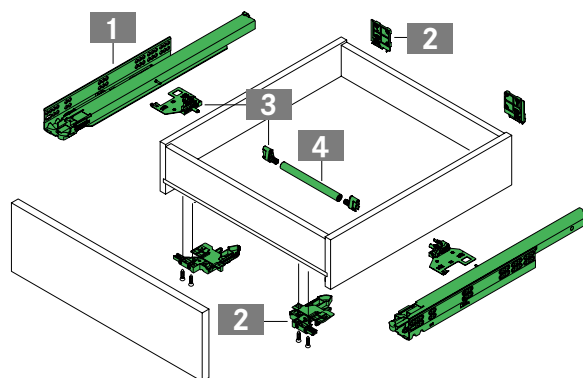
\* Load capacity 50 kg

2 Dynapro 3D set Front locking device (2D) and adjustment adapter (1D), one left, one right				
	Art. No.			
	F134125074			

3 Synchronisation unit Set: synchronisation module and synchronisation lever, one left, one right				
	40 kg		60 kg	
	Art. No.		Art. No.	
	F134117475		F134117476	

4 Synchronisation rod Single item: for cutting to length				
L	Art. No.			
981	F134116947			

Individual components				
Description	Art. No.			
Front locking device (2D) Set: one left, one right	F134115305			
Adjustment adapter (1D) Set: one left, one right	F134115306			



## PAGE REFERENCES

Pull-out shelf	544	Assembly aids	668		
Application examples	546				
Technical information	550				

PLANNING DIMENSIONS

All dimensions in millimetres

**Installation dimensions**

$LWS = (LWK - 42) \begin{matrix} +0 \\ -1.5 \end{matrix}$   
min. LWS = 180 mm (3D)

**Drawer**

**Inset drawer**

NL	SKL	MET
250	240	253
270	260	273
300	290	303
320	310	323
350	340	353
380	370	383
400	390	403
420	410	423
450	440	453
480	470	483
500	490	503
520	510	523
550	540	553
580	570	583
600	590	603
650	640	653
700	690	703
750	740	753

Cutting dimensions for synchronisation rod

**Mounting position for front locking device**

**Mounting position for adjustment adapter**

**Position for the synchronisation rod**

NL	A
250 - 320	205
350 - 750	241

**Mounting positions for full extension slide**

Euro screw  $\varnothing 6.3 \times 14$  mm  
Chipboard screw  $\varnothing 4 \times 16$  mm  
Screw head  $\varnothing 7$  mm

40 kg MET = NL + 3

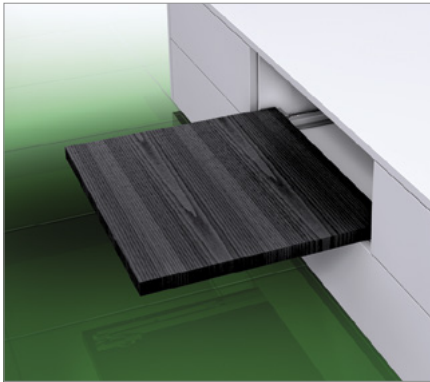
60 kg MET = NL + 3

LEGEND

HV	Height adjustment	LWS	Inside drawer width	SKL	Drawer length
KV	Cabinet front edge	MET	Minimum installation depth	SV	Side adjustment
L	Length	NL	Nominal length		
LWK	Inside cabinet width	NV	Tilt angle adjustment		

# DYNAPRO

For base panel mounting and pull-out shelf



### Dynapro for base panel mounting:

- Synchronised full extension slide, 40 kg load capacity
- Soft-close damper system
- Assembly on the cabinet or shelf
- Particularly suitable for pull-out shelves (no lateral screw-on angles)

### Shelf clip set:

- Height adjustment + 3.5 mm
- Optional depth adjustment + 3.5 mm
- Stepless self-locking of shelf on slide
- Compatible with all Dynapro slides

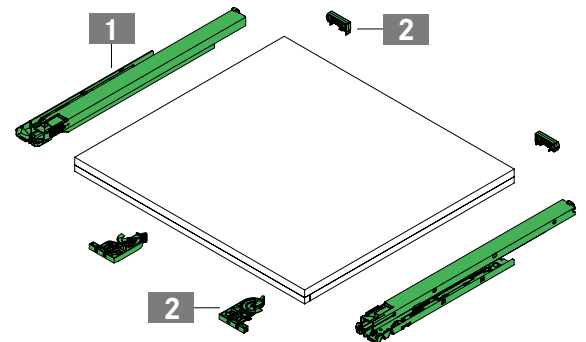
## ORDER INFORMATION

<b>1</b>		<b>Dynapro full extension slide Soft-close for base panel mounting</b>			
		<b>Set: one left, one right</b>			
NL	40 kg				
	Art. No.				
400	<b>F130107878</b>				
450	<b>F130107884</b>				
500	<b>F130107890</b>				
550	<b>F130107893</b>				

<b>2</b>		<b>Dynapro 1D set</b>			
		<b>Front locking device (1D) and shelf clip, one left, one right</b>			
	Art. No.				
	<b>F134107411</b>				

<b>Individual components</b>					
Description	Art. No.				
Front locking device (1D)	<b>F134140216</b>				
Set: one left, one right					
Shelf clip	<b>F134101305</b>				
Single item: can be used on left/right					

<b>Optional: depth adjustment (1D)</b>					
		<b>Set: one left, one right</b>			
	Art. No.				
	<b>F134101313</b>				

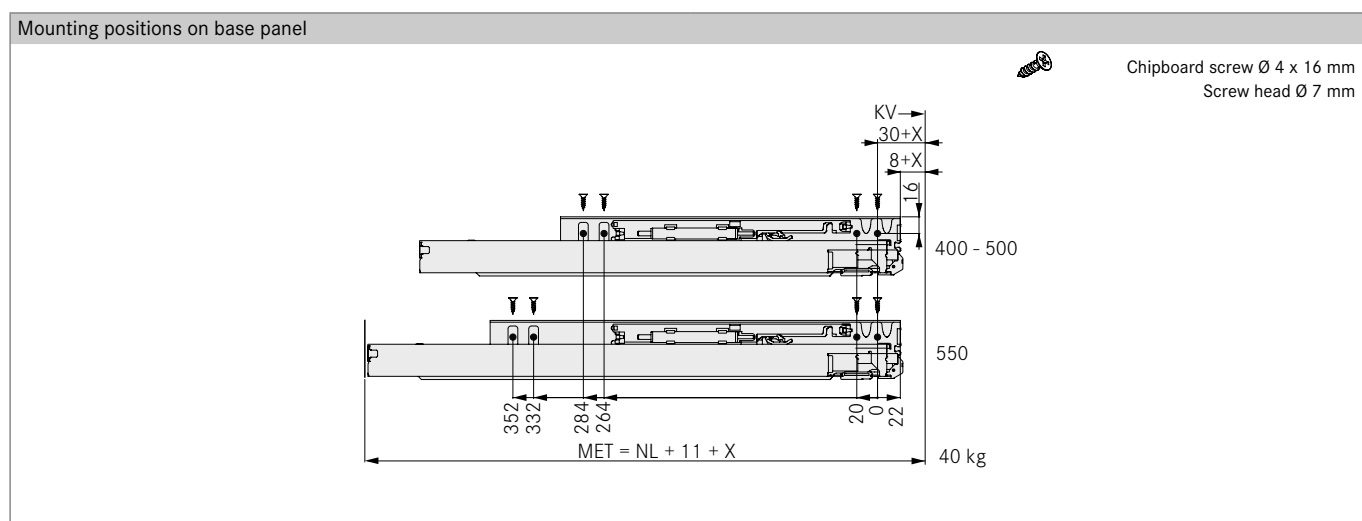
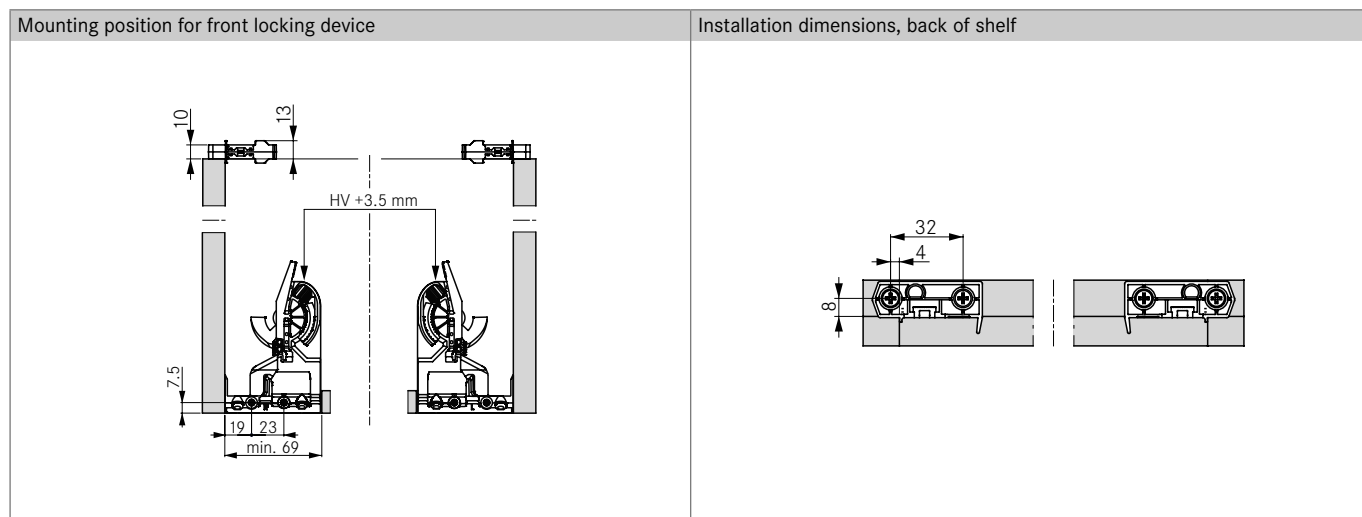
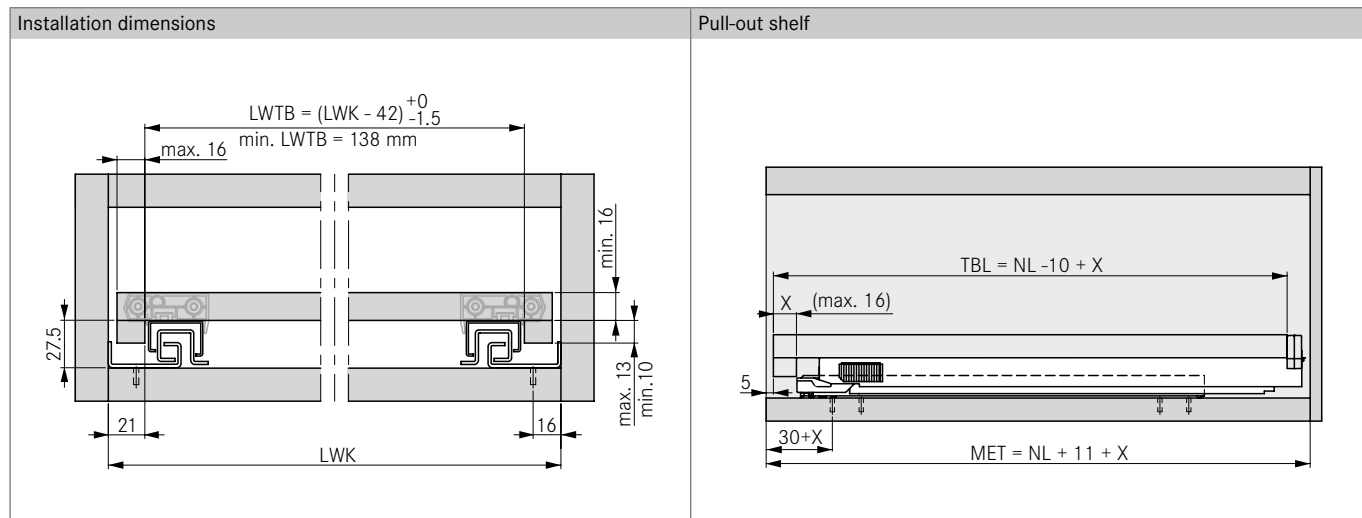


## PAGE REFERENCES

Dynapro Soft-close	536	Application examples	546		
Dynapro Tipmatic Soft-close	540	Technical information	550		
Dynapro Tipmatic	542	Assembly aids	668		

PLANNING DIMENSIONS

All dimensions in millimetres



LEGEND

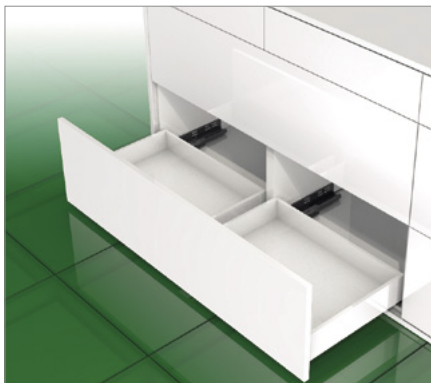
**HV** Height adjustment  
**LWK** Inside cabinet width  
**LWTB** Inside shelf width  
**MET** Minimum installation depth

**NL** Nominal length  
**TBL** Shelf length



# APPLICATION EXAMPLES

## Dynapro Tipmatic Soft-close in double cabinet



- Two drawers with one continuous front panel can be opened using Dynapro Tipmatic Soft-close
- Allows implementation of wide, handle-free fronts with a mechanical opening system
- Enables puristic and solid furniture design in new dimensions
- Large activation zone through synchronisation rod
- Tool-free 5D adjustment facility

### Note:

- Minimum outside width: 1000 mm
- Maximum outside width: 2200 mm
- Maximum total weight: 40 kg
- Only the Dynapro slides on the outer walls of the double cabinet are fitted with a Tipmatic Soft-close unit and an activator.
- The Soft-close unit must be removed for Dynapro slides on the inner walls of the double cabinet

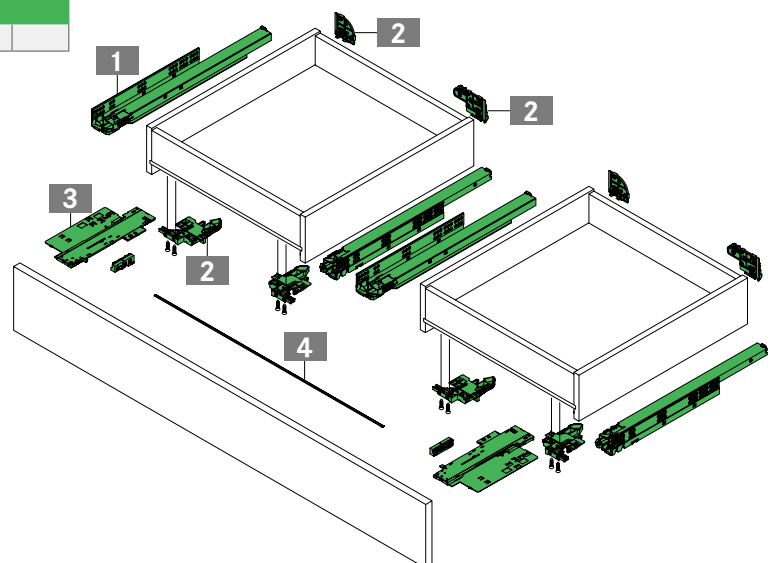
## ORDER INFORMATION

1 Dynapro full extension slide Soft-close Set: one left, one right					
NL	40 kg				
	Art. No.				
270	F130107793				
300	F130107796				
320	F130107799				
350	F130107802				
380	F130107805				
400	F130107808				
420	F130107811				
450	F130107814				
480	F130107817				
500	F130107820				
520	F130107823				
550	F130107826				
600	F130107829				

3 Dynapro Tipmatic Soft-close (1D) Set: unit and activator, one left, one right					
	Art. No.				
	F134109323				

4 Synchronisation rod Single item: for cutting to length					
L	Art. No.				
952	F134109410				
1562	F102109394				
1952	F134131408				

2 Dynapro accessories for double cabinet Set: front locking device (2D) (4x), adjustment adapter (2D) (2x) and adjustment adapter (1D) (2x)					
	Art. No.				
	F134136776				



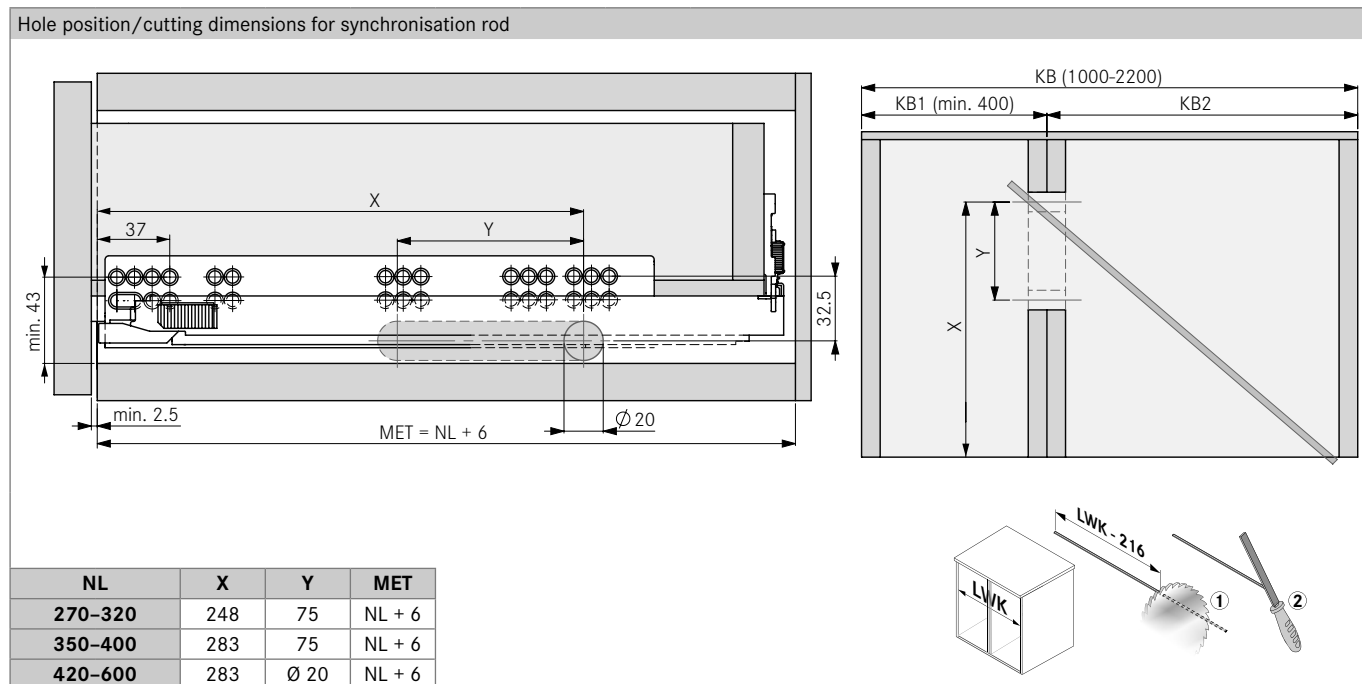
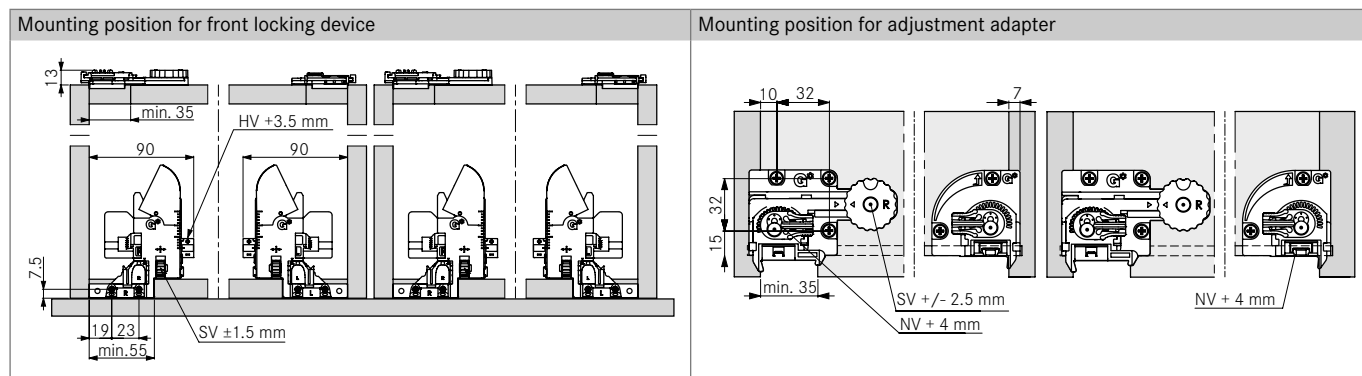
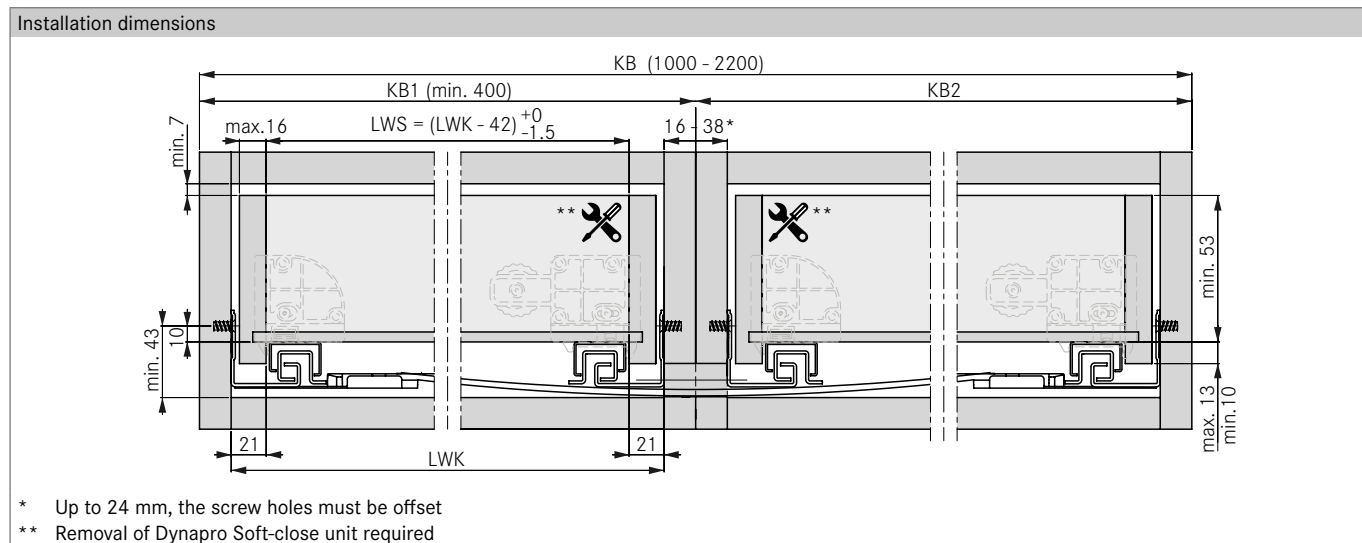
## PAGE REFERENCES

Dynapro Soft-close	536	Pull-out shelf	544		
Dynapro Tipmatic Soft-close	540	Technical information	550		
Dynapro Tipmatic	542	Assembly aids	668		



PLANNING DIMENSIONS

All dimensions in millimetres



LEGEND

HV	Height adjustment
KB	Cabinet width
L	Length
LWK	Inside cabinet width

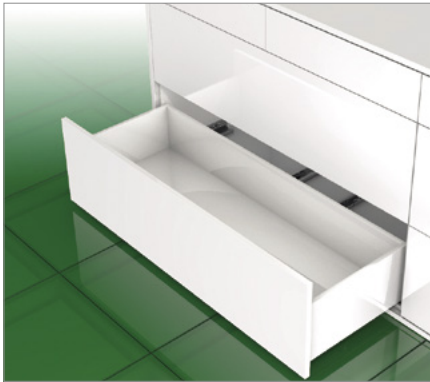
LWS	Inside drawer width
MET	Minimum installation depth
NL	Nominal length
NV	Tilt angle adjustment

SV	Side adjustment
----	-----------------



# APPLICATION EXAMPLES

## Extra-wide drawer



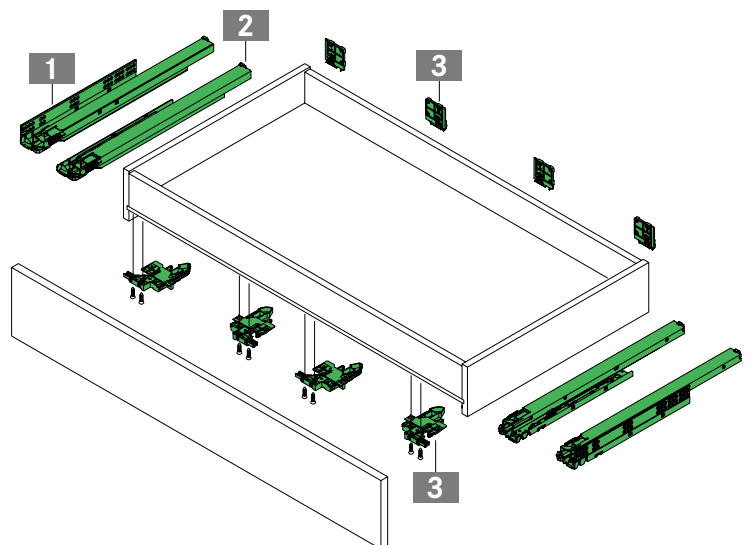
- Extra-wide drawer for cabinet without additional centre wall
- Modern furniture design with large fronts and no lost storage space
- Ideal for living room storage systems or bed drawers
- Made possible thanks to the combination of standard Dynapro slides with Dynapro for base panel mounting

### ORDER INFORMATION

<b>1</b>		<b>Dynapro full extension slide Soft-close</b>			
		<b>Set: one left, one right</b>			
NL		40 kg			
		Art. No.			
400		<b>F130107808</b>			
450		<b>F130107814</b>			
500		<b>F130107820</b>			
550		<b>F130107826</b>			

<b>3</b>		<b>Dynapro 3D set</b>			
		<b>Front locking device (2D) and adjustment adapter (1D), one left, one right</b>			
		Art. No.			
		<b>F134125074</b>			

<b>2</b>		<b>Dynapro full extension slide Soft-close for base panel mounting</b>			
		<b>Set: one left, one right</b>			
NL		40 kg			
		Art. No.			
400		<b>F130107878</b>			
450		<b>F130107884</b>			
500		<b>F130107890</b>			
550		<b>F130107893</b>			

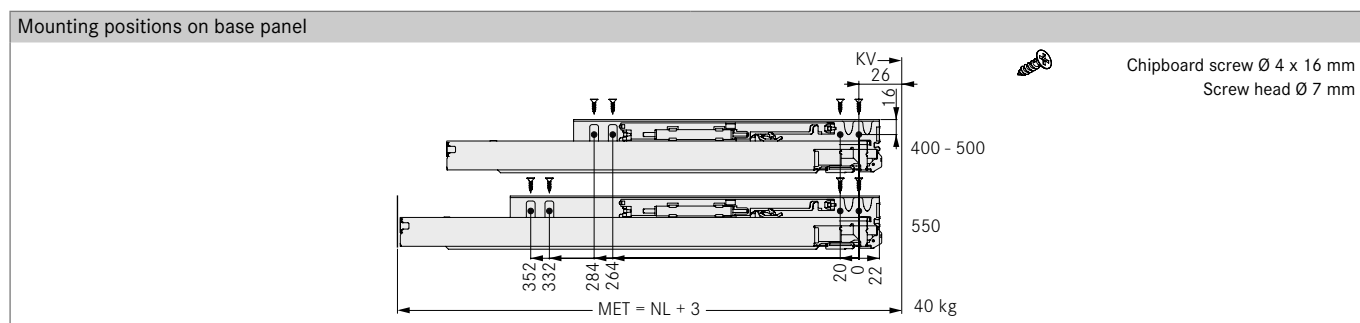
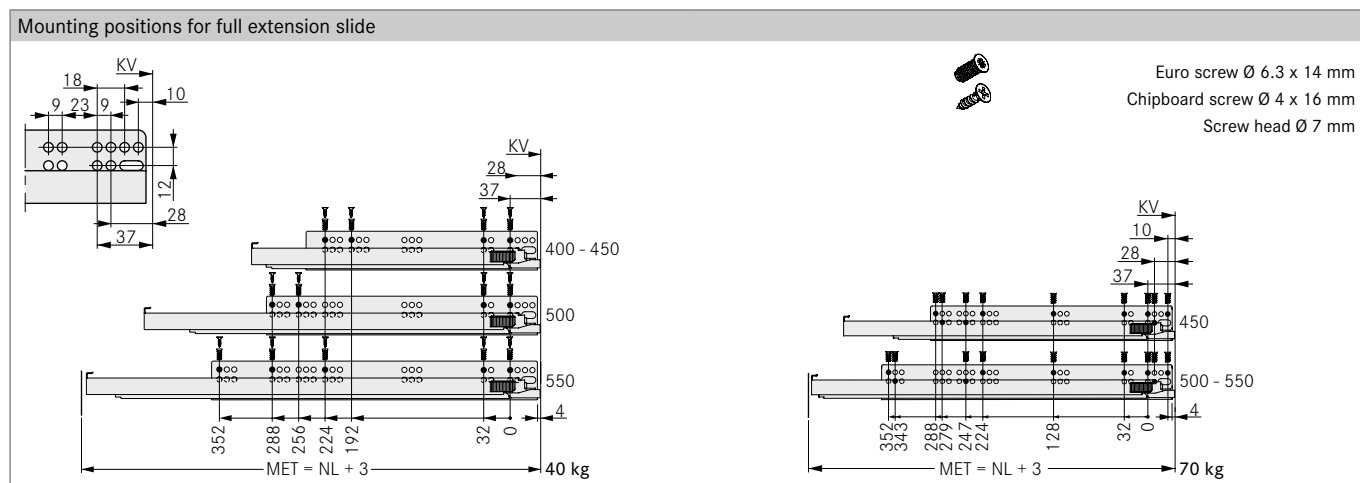
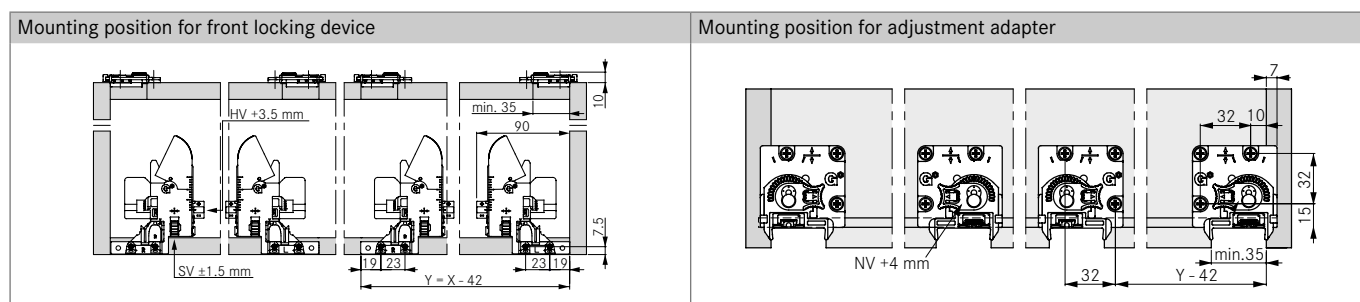
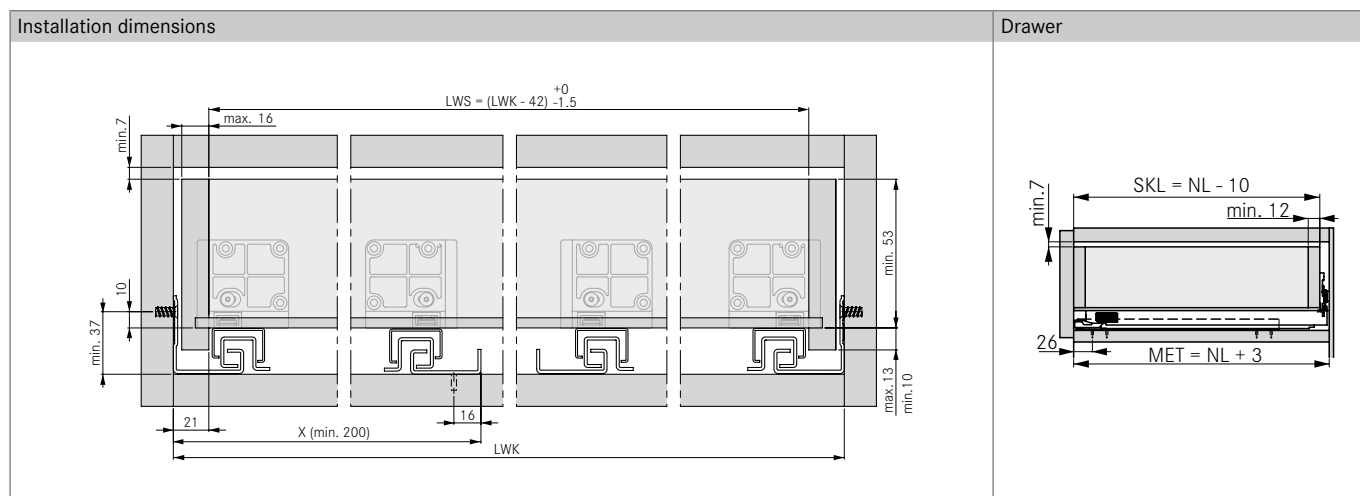


### PAGE REFERENCES

Dynapro Soft-close	536	Pull-out shelf	544		
Dynapro Tipmatic Soft-close	540	Technical information	550		
Dynapro Tipmatic	542	Assembly aids	668		

PLANNING DIMENSIONS

All dimensions in millimetres



LEGEND

HV	Height adjustment	LWK	Inside cabinet width	NV	Tilt angle adjustment
KB	Cabinet width	LWS	Inside drawer width	SKL	Drawer length
KV	Cabinet front edge	MET	Minimum installation depth	SV	Side adjustment
L	Length	NL	Nominal length		



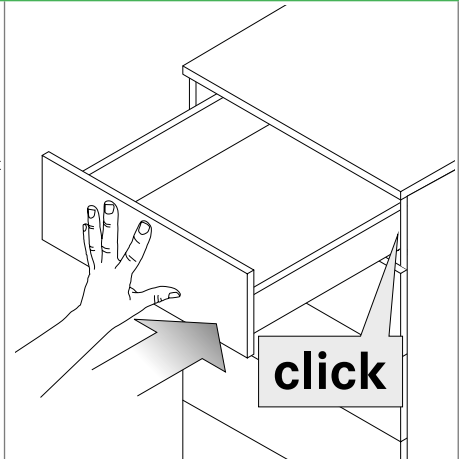
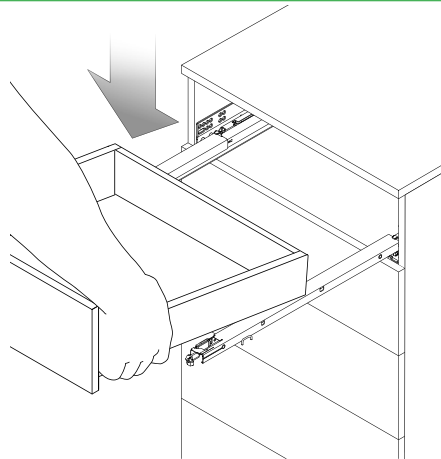
# DYNAPRO

## Technical information

### PLANNING DIMENSIONS

#### Inserting the drawer

Place the drawer on the extended Dynapro slides and slide in until it audibly engages.

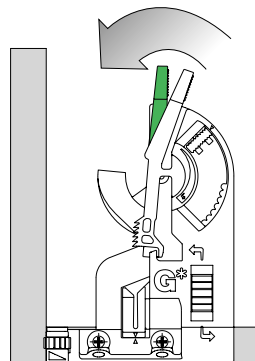
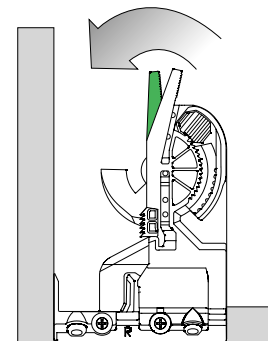
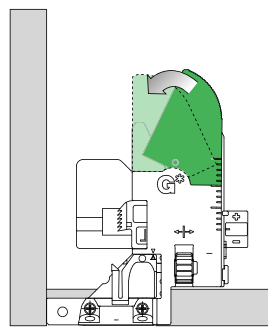


#### Removing the drawer

Pull out the drawer, actuate the lever of the front locking device on both sides and pull the drawer forwards, away from the slide.

#### Dynapro 3D/4D

#### Dynapro 2D



### NOTES

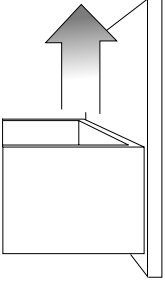
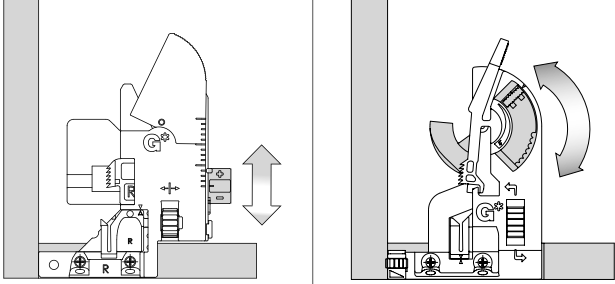
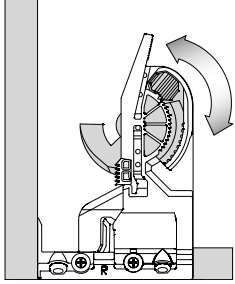
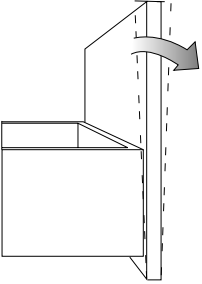

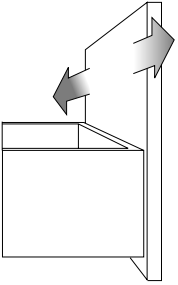
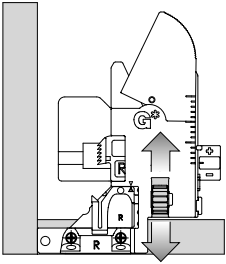
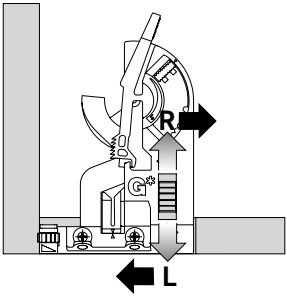
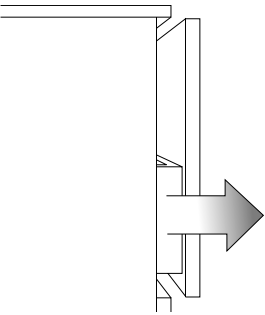
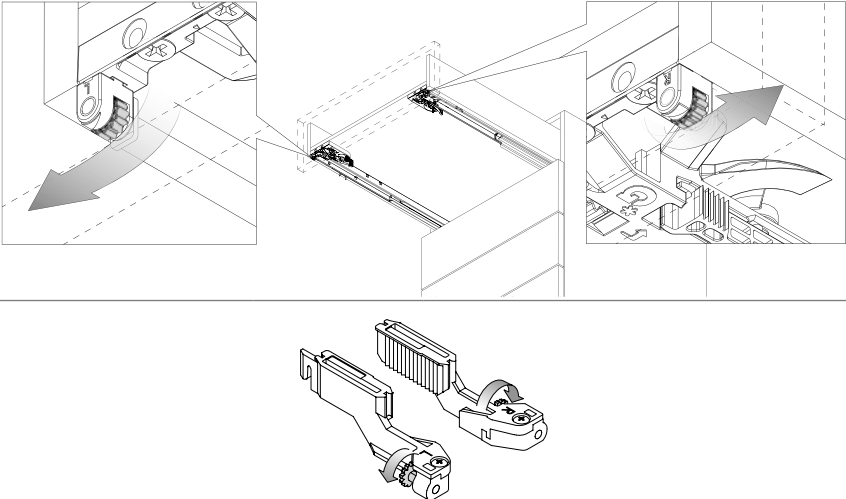
Mounting of cabinet members:

The screw recommendations are intended for reference. Screw head  $\varnothing$  7 mm. Assemblers must ensure that the substrate material is thick enough.

### PAGE REFERENCES

Dynapro Soft-close	536	Pull-out shelf	544	Assembly aids	668
Dynapro Tipmatic Soft-close	540	Application examples	546		
Dynapro Tipmatic	542	Sensomatic	617		

ADJUSTMENT

<p>Height adjustment (max. +3.5 mm)</p> 	<p>Dynapro 3D/4D</p> 		<p>Dynapro 2D</p> 
<p>Front tilt angle adjustment (max. +4.0 mm)</p> 	<p>Dynapro 2D/3D/4D</p> 		
<p>Side adjustment (max. ±1.5 mm)</p> 	<p>Dynapro 3D/4D</p> 		
<p>Depth adjustment (max. +3.5 mm)</p> 	<p>Dynapro 3D/4D</p> 		

1

2

3

4

5

6

7

8

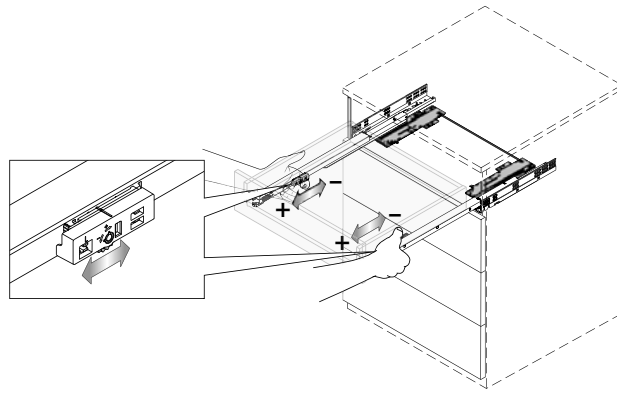
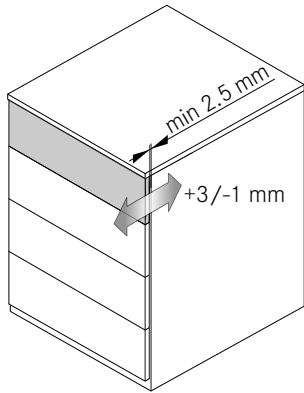


# DYNAPRO

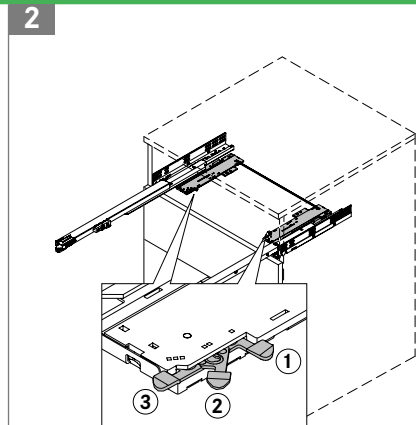
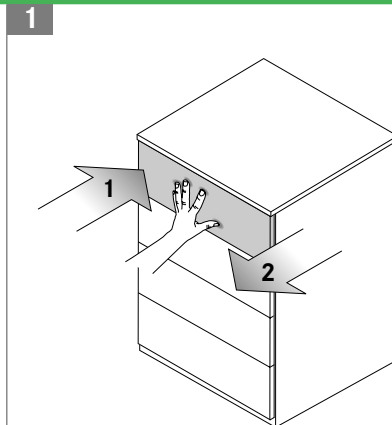
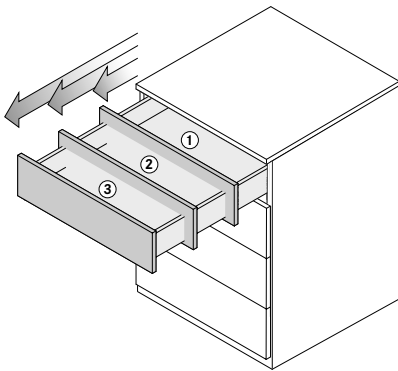
## Technical information

### DYNAPRO TIPMATIC SOFT-CLOSE

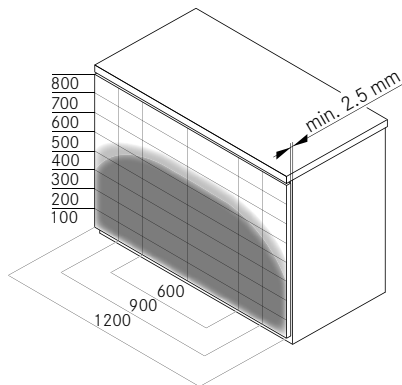
#### Front gap adjustment (+3 mm/-1 mm)



#### Opening force



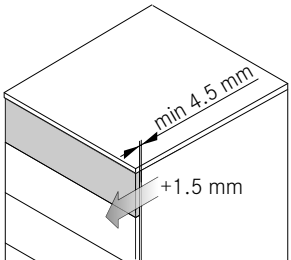
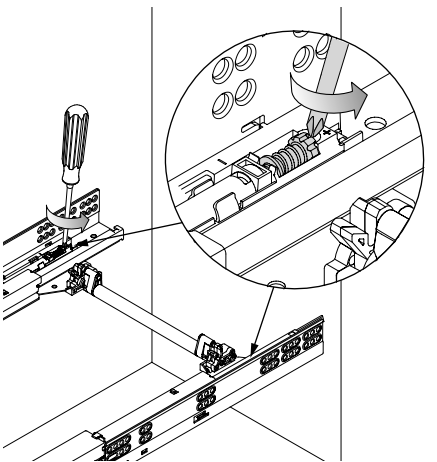
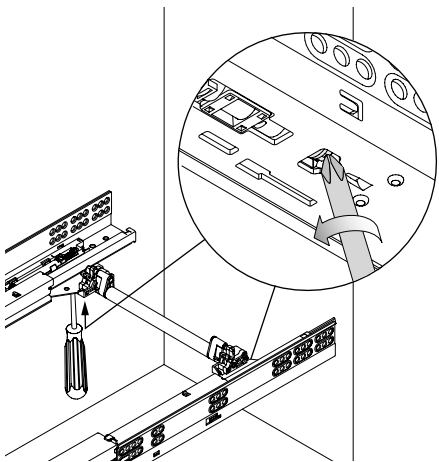
#### Activation zone



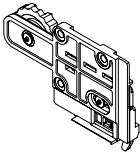
#### PAGE REFERENCES

Dynapro Soft-close	536	Pull-out shelf	544	Assembly aids	668
Dynapro Tipmatic Soft-close	540	Application examples	546		
Dynapro Tipmatic	542	Sensomatic	617		

## DYNAPRO TIPMATIC

Front gap adjustment (max. +1.5 mm)	Front gap adjustment from above	Front gap adjustment from below
<p>The reliable opening and closing of the drawer depends on the front gap setting (min. 4.5 mm = factory setting). If the front height is greater than 300 mm, the front gap must be increased to the maximum of 6 mm.</p> 		

## 2D ADJUSTMENT ADAPTER WITH TILT ANGLE AND SIDE ADJUSTMENT

		Art. No.	
<ul style="list-style-type: none"> <li>• Adjustment adapter for increased demands on the front gap, e.g. for extra-wide drawers</li> <li>• Integrated vertical tilt angle adjustment (+ 4 mm) and additional side adjustment (<math>\pm 2.5</math> mm)</li> <li>• If necessary, this replaces the right-hand standard adjustment adapter</li> </ul>		<p><b>F134100635</b></p>	

## LEGEND

