
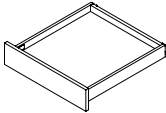

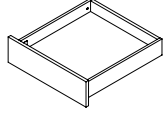

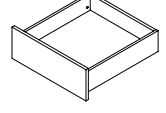

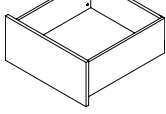

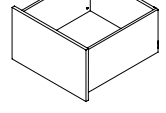

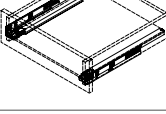

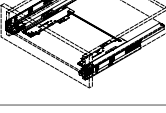

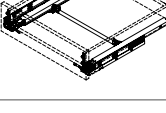

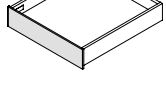




# Vionaro

## Drawer system

The ideal shape is simple and clear:  
Vionaro – the slim design classic of tomorrow.

	Product description		Page
	<b>Drawer H63</b> <ul style="list-style-type: none"> <li>Extremely shallow drawer to accommodate low available height</li> <li>4-dimensional adjustment (side, height, tilt angle and depth adjustment)</li> <li>90° straight inner and outer sides</li> <li>Slim 13 mm drawer side width</li> </ul>		466
	<b>Drawer H89</b> <ul style="list-style-type: none"> <li>The practical standard drawer for every application</li> <li>4-dimensional adjustment (side, height, tilt angle and depth adjustment)</li> <li>90° straight inner and outer sides</li> <li>Slim 13 mm drawer side width</li> </ul>		468
	<b>Drawer H121</b> <ul style="list-style-type: none"> <li>The elegant intermediate height for special applications</li> <li>4-dimensional adjustment (side, height, tilt angle and depth adjustment)</li> <li>90° straight inner and outer sides</li> <li>Slim 13 mm drawer side width</li> </ul>		470
	<b>Pot drawer H185</b> <ul style="list-style-type: none"> <li>Slim, closed drawer side</li> <li>4-dimensional adjustment (side, height, tilt angle and depth adjustment)</li> <li>90° straight inner and outer sides</li> <li>Slim 13 mm drawer side width</li> </ul>		472
	<b>Pot drawer H249</b> <ul style="list-style-type: none"> <li>Slim, closed drawer side</li> <li>4-dimensional adjustment (side, height, tilt angle and depth adjustment)</li> <li>90° straight inner and outer sides</li> <li>Slim 13 mm drawer side width</li> </ul>		474
	<b>Dynapro full extension slide 40/70 kg Soft-close</b> <ul style="list-style-type: none"> <li>Synchronised full extension slide</li> <li>Soft-close damping system</li> <li>Excellent running characteristics</li> </ul>		476
	<b>Dynapro full extension slide 40/70 kg Tipmatic Soft-close</b> <ul style="list-style-type: none"> <li>Synchronised full extension slide</li> <li>Combines Tipmatic function with Soft-close damper</li> <li>Excellent running characteristics</li> </ul>		478
	<b>Dynapro full extension slide 40/60 kg Tipmatic</b> <ul style="list-style-type: none"> <li>Full extension slide Tipmatic</li> <li>Tipmatic element integrated into the slide</li> <li>Excellent running characteristics</li> </ul>		480
	<b>Inset panels</b> <ul style="list-style-type: none"> <li>Colour coordinated with Vionaro</li> <li>Elegant design</li> <li>Available in heights H89, H121 and H185</li> </ul>		482

	Product description		Page
	<b>Accessories – individual components</b> <ul style="list-style-type: none"> <li>• Components of accessory set for repeat or individual orders</li> </ul>		490
	<b>Application examples</b> <ul style="list-style-type: none"> <li>• Sink drawer with cut-out</li> <li>• Extra-wide pot drawer</li> <li>• Tall cabinet</li> </ul>		492

	<b>Technical information</b>		498
	<b>Dividing and organising systems</b>		605
	<b>Assembly technology</b>		637
	<b>Assembly aids</b>		664

1

2

3

4

5

6

7

8

# VIONARO

## Drawer H63



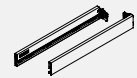
- Extremely shallow drawer to accommodate low available height
- 4-dimensional adjustment
- Integrated side, height and tilt angle adjustment
- Depth adjustment optional
- 90° straight inner and outer sides
- Slim 13 mm drawer side width
- Tool-free fitting of front
- No need to machine the bottom panel

**Note:**

- Front-bottom connector recommended for KB 600 mm and above (see page 491)

### ORDER INFORMATION

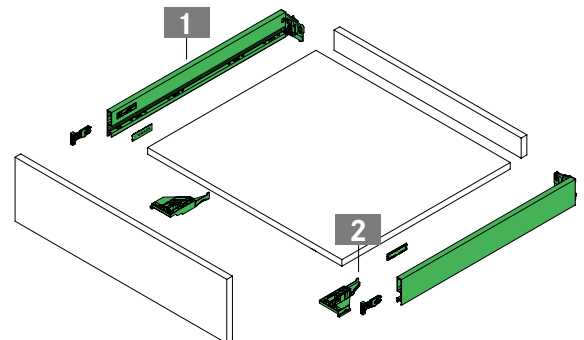
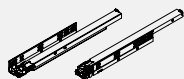
1 Vionaro drawer sides H63 Set: one left, one right											
NL	Aluminium										
	Silver grey			Graphite			Snow white				
	Art. No.			Art. No.			Art. No.				
400	<b>F135124868</b>			<b>F135106018</b>			<b>F135106218</b>				
450	<b>F135124874</b>			<b>F135106024</b>			<b>F135106224</b>				
500	<b>F135124880</b>			<b>F135106030</b>			<b>F135106230</b>				
550	<b>F135124886</b>			<b>F135106036</b>			<b>F135106236</b>				



2 Vionaro accessories for H63 Set: cover cap (inside, with embossed GRASS logo), front locking device and front holder, one left, one right											
	Description	Silver grey			Graphite			Snow white			
		Art. No.			Art. No.			Art. No.			
		For screw fitting	<b>F136101003</b>			<b>F136101004</b>			<b>F136101005</b>		



Dynapro slides from page 476 onwards



### PAGE REFERENCES

Tipmatic Soft-close	478	Technical information	498	Assembly technology	637
Accessories – individual components	490	Organising systems	605	Assembly aids	664
Application examples	492	Sensomatic	617		

**PLANNING DIMENSIONS**

All dimensions in millimetres

Front panel installation dimensions	Back panel installation dimensions	Cutting dimensions for 16 mm chipboard
Minimum installation depth	Back panel screw fitting (KB ≥ 275)	Back panel screw fitting (KB ≥ 600)
Mounting positions for full extension slide		
		<p>  Euro screw Ø 6.3 x 14 mm   Chipboard screw Ø 4 x 16 mm                      Screw head Ø 7 mm                 </p>

**LEGEND**

B/BB	Bottom panel/bottom panel width	KB	Cabinet width	NL	Nominal length
BL	Bottom panel length	KV	Cabinet front edge	RW	Back panel
FAS	Front overlay, side	LWK	Inside cabinet width	RWB	Back panel width
FST	Front overlay	MET	Minimum installation depth	RWH	Back panel height

1

2

3

4

5

6

7

8

# VIONARO

## Drawer H89



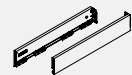
- The practical standard drawer for every application
- 4-dimensional adjustment
- Integrated side, height and tilt angle adjustment
- Depth adjustment optional
- 90° straight inner and outer sides
- Slim 13 mm drawer side width
- Tool-free fitting of front
- No need to machine the bottom panel

### Note:

- Front-bottom connector recommended for KB 600 mm and above (see page 491)

## ORDER INFORMATION

### 1 Vionaro drawer sides H89 Set: one left, one right



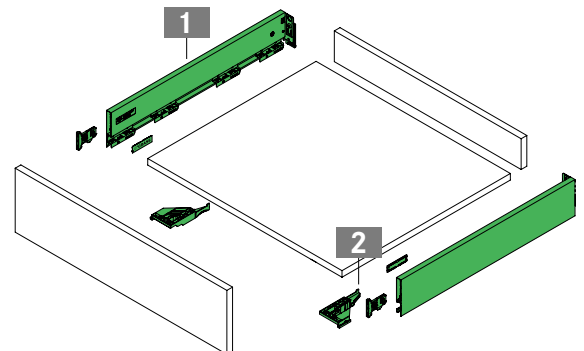
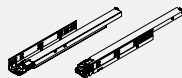
NL	Steel											
	Silver grey				Graphite				Snow white			
	Art. No.				Art. No.				Art. No.			
270	F135119057				F135119303				F135120603			
300	F135119060				F135119306				F135120606			
350	F135119066				F135119312				F135120612			
400	F135119072				F135119318				F135120618			
450	F135119078				F135119324				F135120624			
500	F135119084				F135119333				F135120633			
550	F135119090				F135119342				F135120642			
600	F135119096				F135119351				F135120651			
650	F135119099				F135119400				F135120654			

### 2 Vionaro accessories for H89/H121 Set: cover cap (inside, with embossed GRASS logo), front locking device and front holder, one left, one right



Description	Silver grey		Graphite		Snow white	
	Art. No.		Art. No.		Art. No.	
For screw fitting	F136100121		F136100123		F136100125	
Expansion dowel Ø 8 mm	F136100122		F136100124		F136100126	

Dynapro slides from page 476 onwards

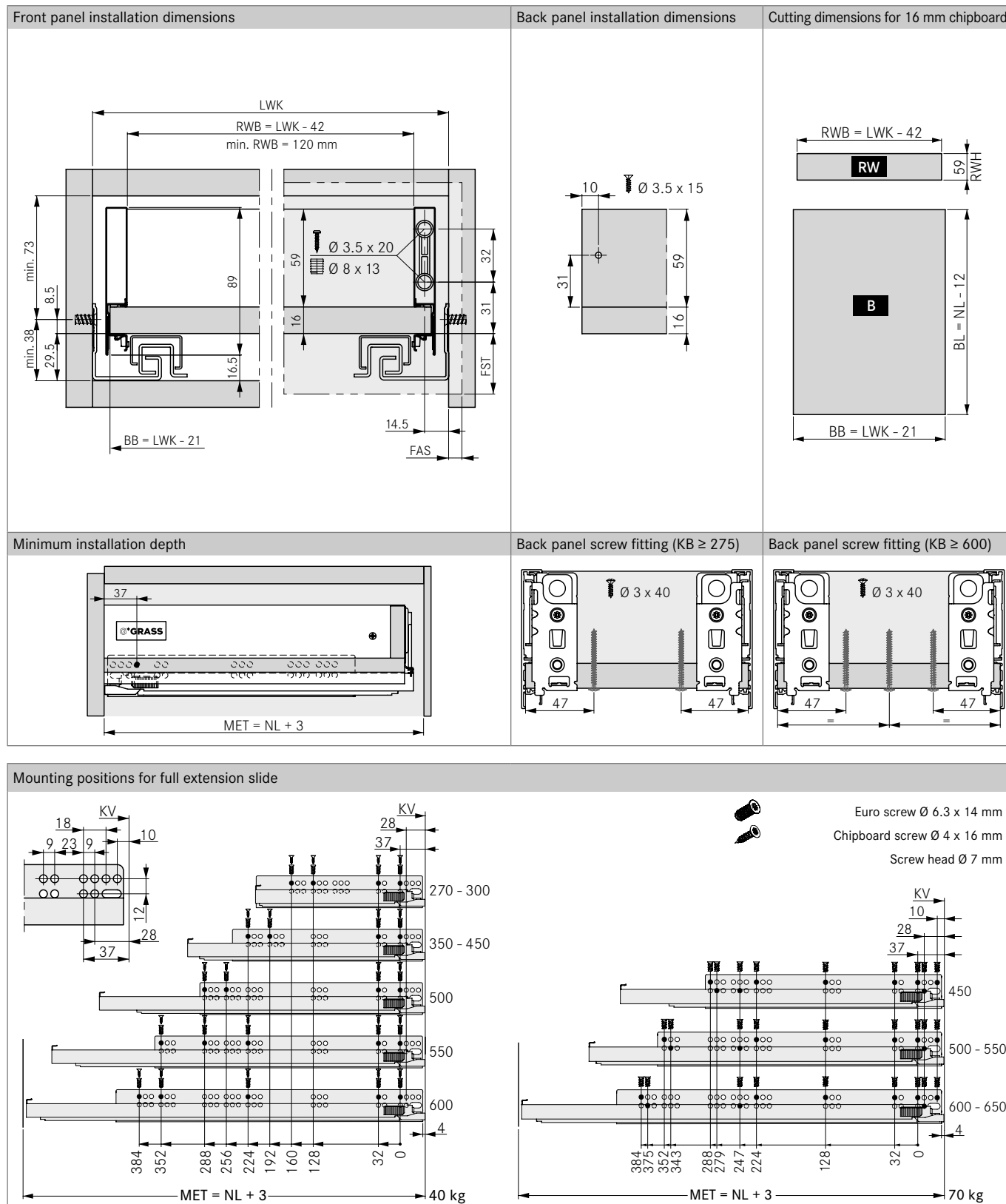


## PAGE REFERENCES

Tipmatic Soft-close	478	Application examples	492	Sensomatic	617
Inset panels	482	Technical information	500	Assembly technology	637
Accessories – individual components	490	Organising systems	605	Assembly aids	664

**PLANNING DIMENSIONS**

All dimensions in millimetres



**LEGEND**

B/BB	Bottom panel/bottom panel width	KB	Cabinet width	NL	Nominal length
BL	Bottom panel length	KV	Cabinet front edge	RW	Back panel
FAS	Front overlay, side	LWK	Inside cabinet width	RWB	Back panel width
FST	Front overlay	MET	Minimum installation depth	RWH	Back panel height



# VIONARO

## Drawer H121



- The elegant intermediate height for special applications
- 4-dimensional adjustment
- Integrated side, height and tilt angle adjustment
- Depth adjustment optional
- 90° straight inner and outer sides
- Slim 13 mm drawer side width
- Tool-free fitting of front
- No need to machine the bottom panel

### Note:

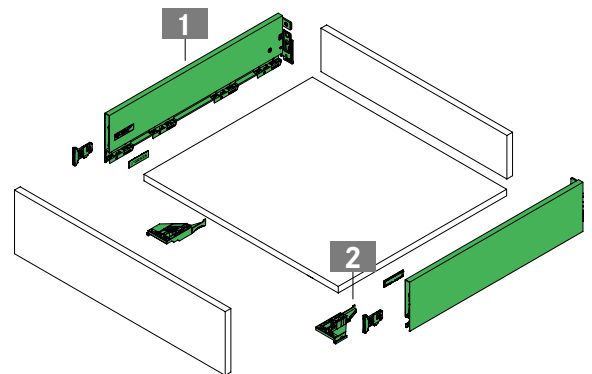
- Front-bottom connector recommended for KB 600 mm and above (see page 491)

## ORDER INFORMATION

1 Vionaro drawer sides H121 Set: one left, one right											
NL	Steel										
	Silver grey			Graphite			Snow white				
	Art. No.			Art. No.			Art. No.				
350	F135124112			F135124212			F135124312				
400	F135124118			F135124218			F135124318				
450	F135124124			F135124224			F135124324				
500	F135124130			F135124230			F135124330				
550	F135124136			F135124236			F135124336				

2 Vionaro accessories for H89/H121 Set: cover cap (inside, with embossed GRASS logo), front locking device and front holder, one left, one right											
	Description	Silver grey			Graphite			Snow white			
		Art. No.			Art. No.			Art. No.			
	For screw fitting	F136100121			F136100123			F136100125			
	Expansion dowel Ø 8 mm	F136100122			F136100124			F136100126			

**Dynapro slides from page 476 onwards**

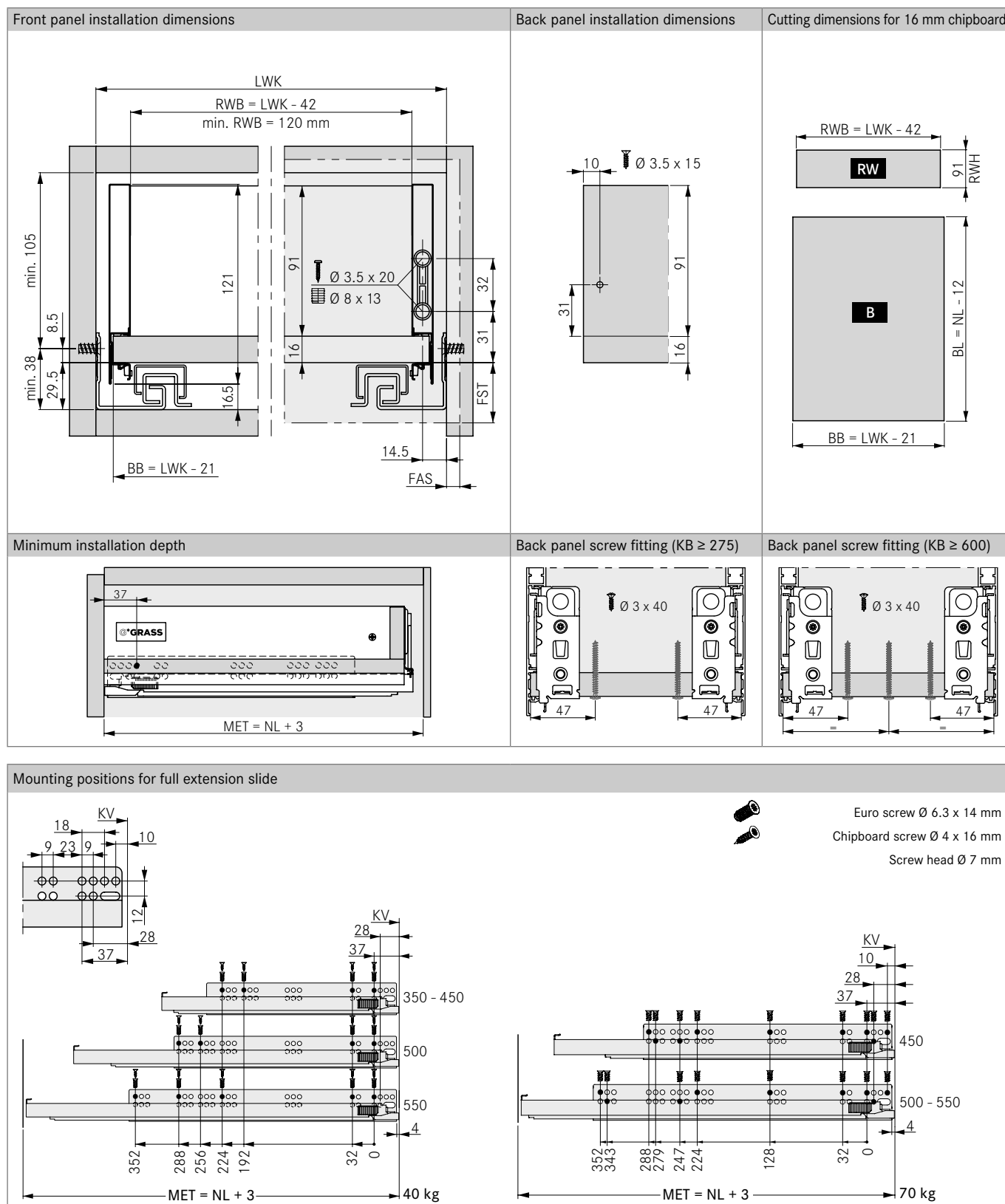


## PAGE REFERENCES

Tipmatic Soft-close	478	Application examples	492	Sensomatic	617
Inset panels	482	Technical information	500	Assembly technology	637
Accessories – individual components	490	Organising systems	605	Assembly aids	664

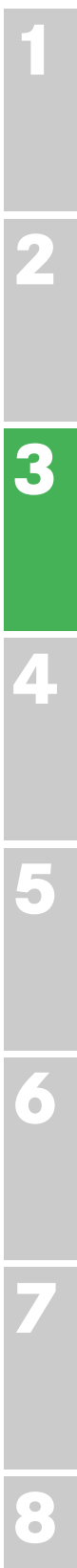
**PLANNING DIMENSIONS**

All dimensions in millimetres



**LEGEND**

B/BB	Bottom panel/bottom panel width	KB	Cabinet width	NL	Nominal length
BL	Bottom panel length	KV	Cabinet front edge	RW	Back panel
FAS	Front overlay, side	LWK	Inside cabinet width	RWB	Back panel width
FST	Front overlay	MET	Minimum installation depth	RWH	Back panel height





# VIONARO

## Pot drawer H185



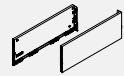
- Slim, closed drawer side
- 4-dimensional adjustment
- Integrated side, height and tilt angle adjustment
- Depth adjustment optional
- 90° straight inner and outer sides
- Slim 13 mm drawer side width
- Tool-free fitting of front
- No need to machine the bottom panel
- Integrated front stabiliser for high fronts

### Note:

- Front-bottom connector recommended for KB 600 mm and above (see page 491)

## ORDER INFORMATION

### 1 Vionaro drawer sides H185 Set: one left, one right



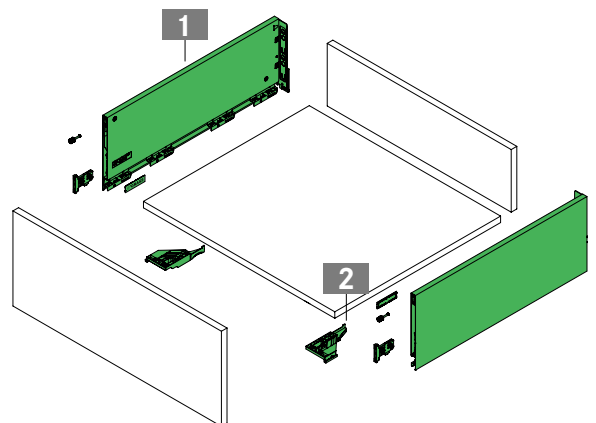
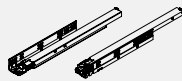
NL	Steel									
	Silver grey			Graphite			Snow white			
	Art. No.			Art. No.			Art. No.			
270	F135119203			F135119412			F135120803			
300	F135119206			F135119415			F135120806			
350	F135119212			F135119421			F135120812			
400	F135119218			F135119427			F135120818			
450	F135119224			F135119433			F135120824			
500	F135119230			F135119442			F135120833			
550	F135119236			F135119451			F135120842			
600	F135119242			F135119460			F135120851			
650	F135119245			F135119463			F135120854			

### 2 Vionaro accessories for H185/H249 Set: cover cap (inside, with embossed GRASS logo), front locking device, front holder and screw-on front stabiliser, one left, one right



	Description	Silver grey		Graphite		Snow white	
		Art. No.		Art. No.		Art. No.	
	For screw fitting	F136136789		F136136790		F136136791	
	Expansion dowel Ø 8 mm	F136136823		F136136824		F136136825	

Dynapro slides from page 476 onwards

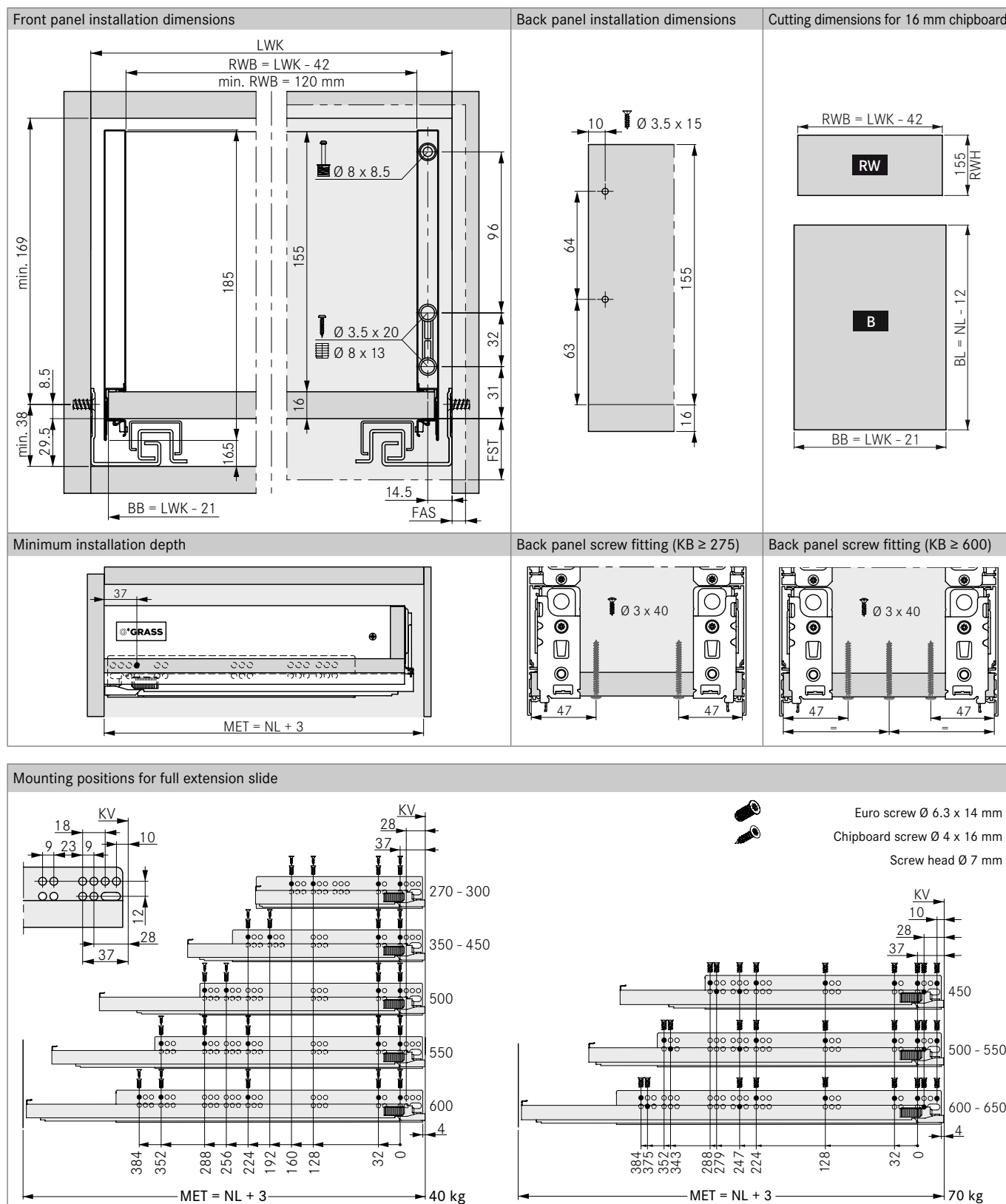


## PAGE REFERENCES

Tipmatic Soft-close	478	Application examples	492	Sensomatic	617
Inset panels	482	Technical information	502	Assembly technology	637
Accessories – individual components	490	Organising systems	605	Assembly aids	664

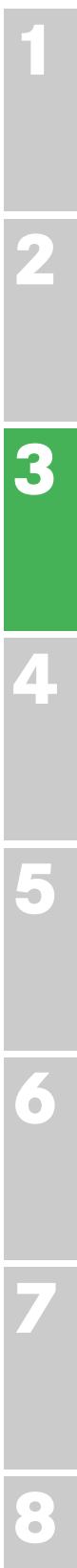
**PLANNING DIMENSIONS**

All dimensions in millimetres



**LEGEND**

B/BB	Bottom panel/bottom panel width	KB	Cabinet width	NL	Nominal length
BL	Bottom panel length	KV	Cabinet front edge	RW	Back panel
FAS	Front overlay, side	LWK	Inside cabinet width	RWB	Back panel width
FST	Front overlay	MET	Minimum installation depth	RWH	Back panel height



# VIONARO

## Pot drawer H249



- Slim, closed drawer side
- 4-dimensional adjustment
- Integrated side, height and tilt angle adjustment
- Depth adjustment optional
- 90° straight inner and outer sides
- Slim 13 mm drawer side width
- Tool-free fitting of front
- No need to machine the bottom panel
- Integrated front stabiliser for high fronts

### Note:

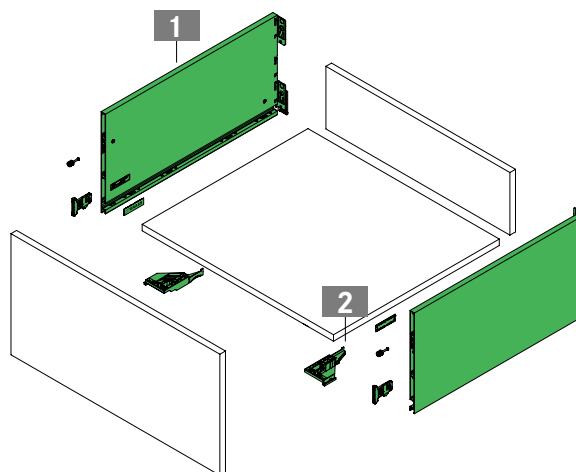
- Front-bottom connector recommended for KB 600 mm and above (see page 491)

## ORDER INFORMATION

1 Vionaro drawer sides H249 Set: one left, one right											
NL	Silver grey			Aluminium Graphite			Snow white				
	Art. No.			Art. No.			Art. No.				
450	F135106774			F135106874			F135106974				
500	F135106780			F135106880			F135106980				
550	F135106786			F135106886			F135106986				
600	F135106792			F135106892			F135106992				

2 Vionaro accessories for H185/H249 Set: cover cap (inside, with embossed GRASS logo), front locking device, front holder and screw-on front stabiliser, one left, one right												
	Description	Silver grey			Graphite			Snow white				
		Art. No.			Art. No.			Art. No.				
	For screw fitting	F136136789			F136136790			F136136791				
	Expansion dowel Ø 8 mm	F136136823			F136136824			F136136825				

Dynapro slides from page 476 onwards

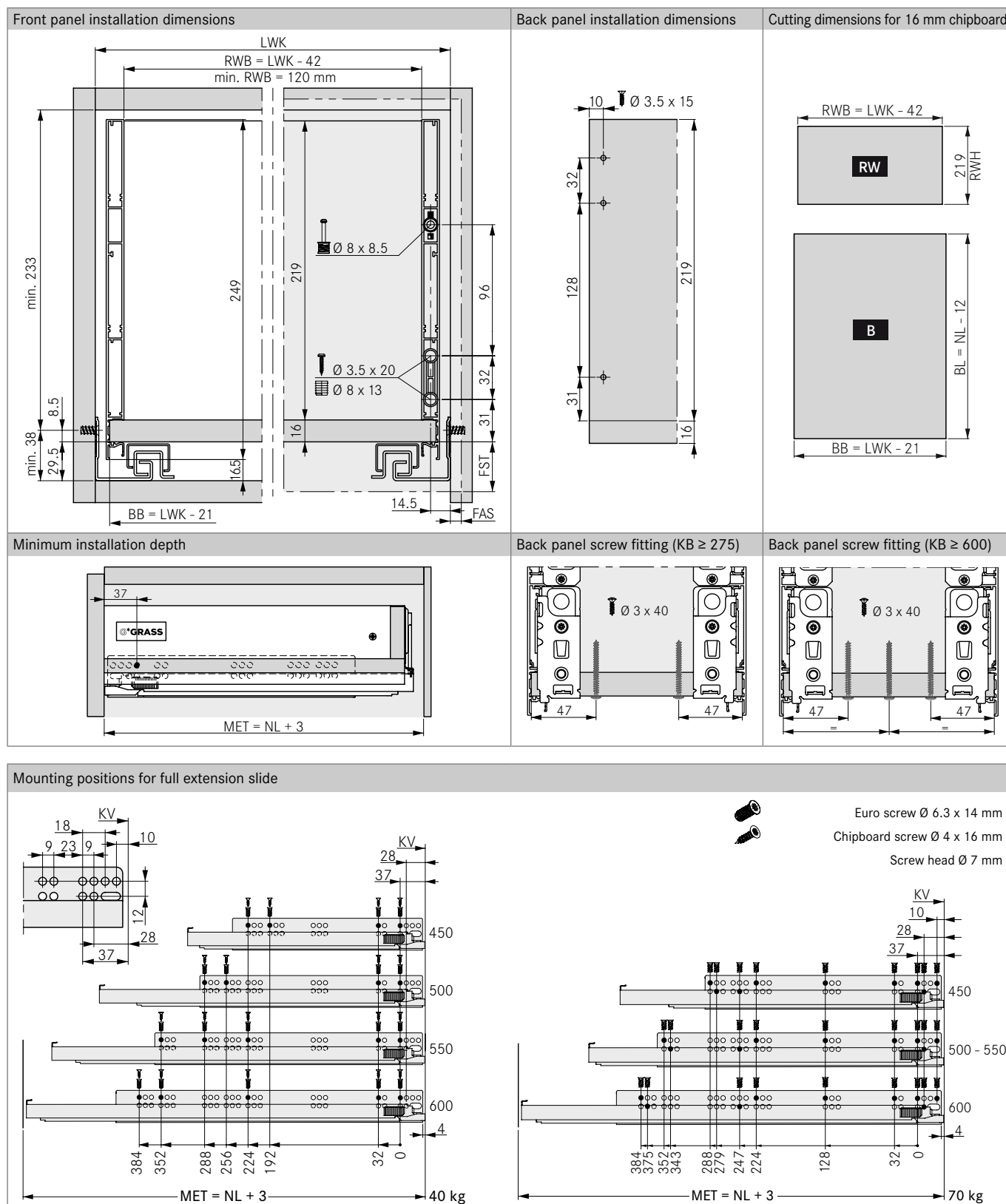


## PAGE REFERENCES

Tipmatic Soft-close	478	Technical information	502	Assembly technology	637
Application examples	492	Organising systems	605	Assembly aids	664
Accessories – individual components	490	Sensomatic	617		

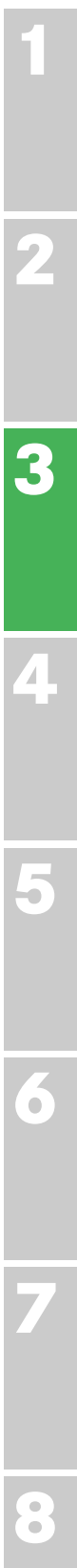
**PLANNING DIMENSIONS**

All dimensions in millimetres



**LEGEND**

B/BB	Bottom panel/bottom panel width	KB	Cabinet width	NL	Nominal length
BL	Bottom panel length	KV	Cabinet front edge	RW	Back panel
FAS	Front overlay, side	LWK	Inside cabinet width	RWB	Back panel width
FST	Front overlay	MET	Minimum installation depth	RWH	Back panel height



# DYNAPRO SOFT-CLOSE

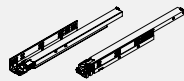
Full extension slide 40/70 kg



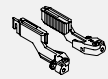
- Excellent running characteristics
- Fully synchronised slide technology
- Soft-close damping system
- Maximum side stability
- Minimum drawer deflection
- Stepless self-locking of the drawer when pushed onto the slide
- The Dynapro slide rail can be combined with wooden drawers

## ORDER INFORMATION

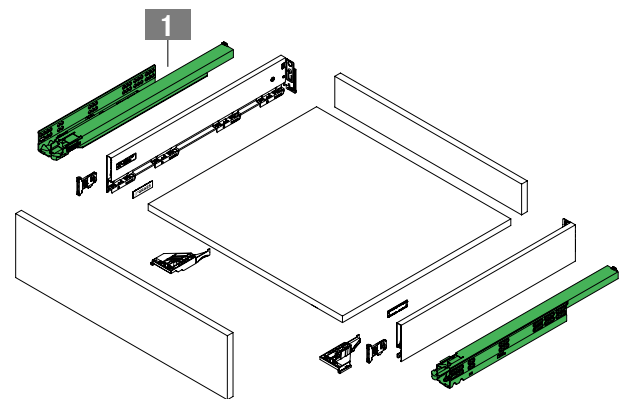
1 Dynapro full extension slide Soft-close Set: one left, one right					
NL	40 kg			70 kg	
	Art. No.			Art. No.	
270	<b>F130107793</b>			-	
300	<b>F130107796</b>			-	
350	<b>F130107802</b>			-	
400	<b>F130107808</b>			-	
450	<b>F130107814</b>			<b>F130107832</b>	
500	<b>F130107820</b>			<b>F130107838</b>	
550	<b>F130107826</b>			<b>F130107844</b>	
600	<b>F130107829</b>			<b>F130107850</b>	
650	-			<b>F130107853</b>	



Optional: depth adjustment Set: one left, one right					
Art. No.					
<b>F134101313</b>					



Vionaro drawer sides from page 464 onwards					
					

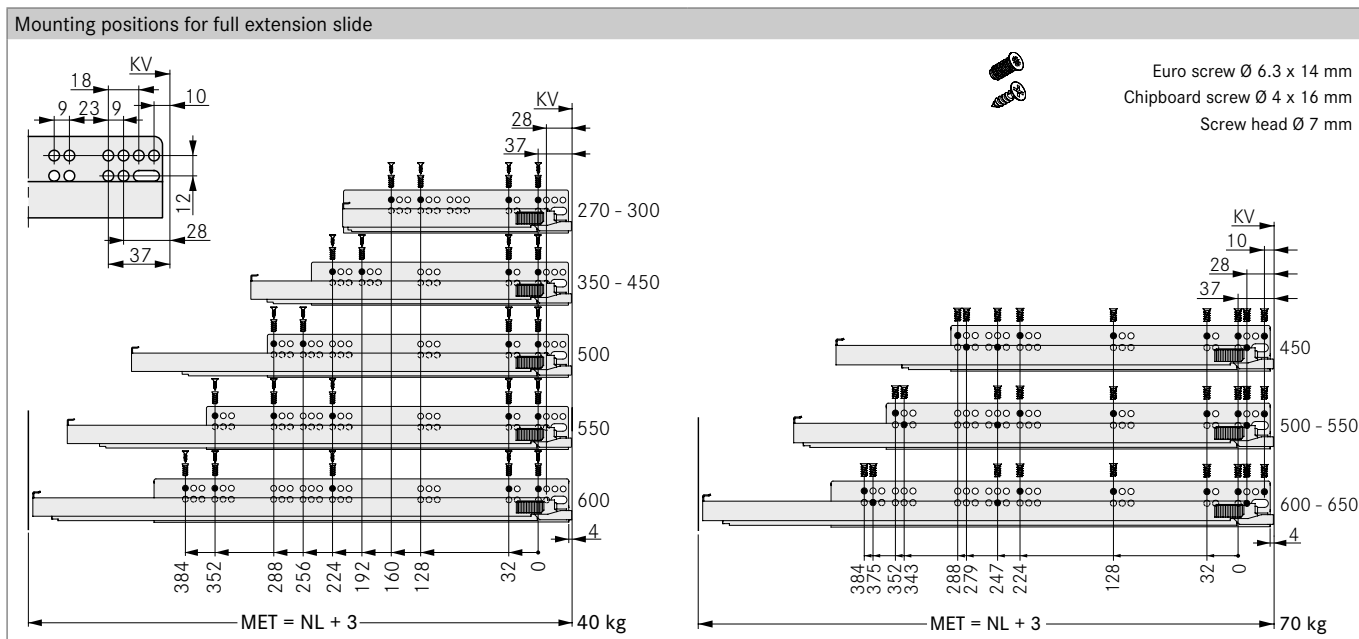
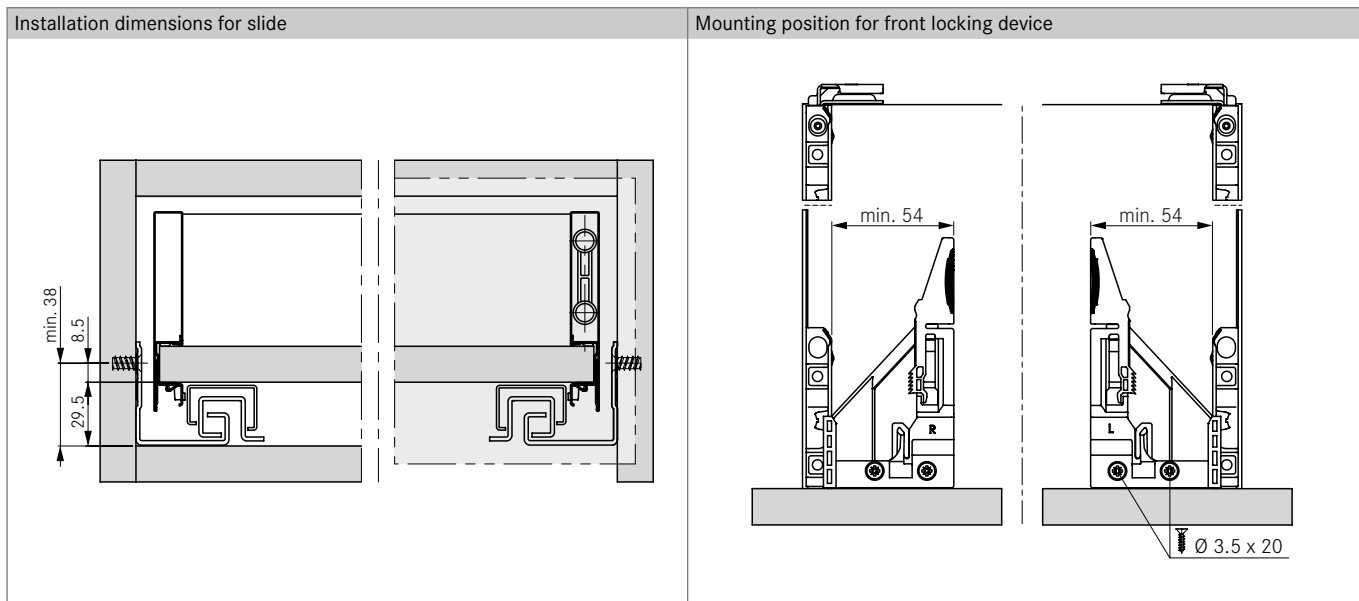


## PAGE REFERENCES

Inset panels	482	Organising systems	605	Assembly aids	664
Application examples	492	Sensomatic	617		
Technical information	498	Assembly technology	637		

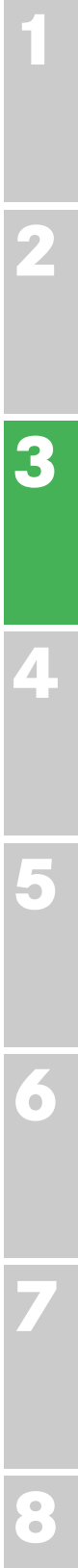
PLANNING DIMENSIONS

All dimensions in millimetres



LEGEND

KV	Cabinet front edge
MET	Minimum installation depth
NL	Nominal length



# DYNAPRO TIPMATIC SOFT-CLOSE

Full extension slide 40/70 kg



- Mechanical opening system for handle-free fronts
- Combines Tipmatic function with Soft-close damper
- Tool-free installation of the Tipmatic Soft-close unit
- Can be used for Dynapro Soft-close full extension slides
- One unit for all nominal lengths and weight classes
- 3-stage adjustment of the opening force
- Large activation zone through synchronisation rod

- The Dynapro slide rail can be combined with wooden drawers



## ORDER INFORMATION

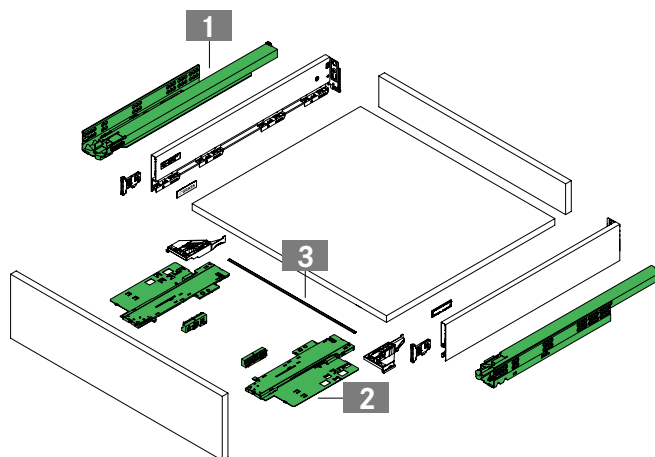
1 Dynapro full extension slide Soft-close Set: one left, one right					
NL	40 kg			70 kg	
	Art. No.			Art. No.	
270	<b>F130107793</b>			-	
300	<b>F130107796</b>			-	
350	<b>F130107802</b>			-	
400	<b>F130107808</b>			-	
450	<b>F130107814</b>			<b>F130107832</b>	
500	<b>F130107820</b>			<b>F130107838</b>	
550	<b>F130107826</b>			<b>F130107844</b>	
600	<b>F130107829</b>			<b>F130107850</b>	
650	-			<b>F130107853</b>	

2 Dynapro Tipmatic Soft-close Set: unit and activator, one left, one right					
Art. No.					
<b>F134109323</b>					

3 Synchronisation rod Single item: for cutting to length					
L	Art. No.				
952 mm	<b>F134109410</b>				
1562 mm	<b>F102109394</b>				
1952 mm	<b>F134131408</b>				

Individual components			
Description	Art. No.		
Dynapro Tipmatic Soft-close unit Set: one left, one right	<b>F134109324</b>		
Dynapro Tipmatic Soft-close activator Set: one left, one right	<b>F134109325</b>		

Vionaro drawer sides from page 464 onwards	



## PAGE REFERENCES

Inset panels	482	Organising systems	605		
Application examples	492	Assembly technology	637		
Technical information	498	Assembly aids	664		

PLANNING DIMENSIONS

All dimensions in millimetres

<p>Installation dimensions for slide</p>	<p>Mounting position for front locking device</p>										
<p>Position for the synchronisation rod</p> <table border="1"> <thead> <tr> <th>NL</th> <th>A</th> <th>B</th> </tr> </thead> <tbody> <tr> <td>270 - 300</td> <td>248</td> <td>265</td> </tr> <tr> <td>350 - 650</td> <td>283</td> <td>300</td> </tr> </tbody> </table>	NL	A	B	270 - 300	248	265	350 - 650	283	300	<p>Cutting dimensions for synchronisation rod</p>	<p>Minimum front gap</p>
NL	A	B									
270 - 300	248	265									
350 - 650	283	300									

Mounting positions for full extension slide

Euro screw  $\text{\O} 6.3 \times 14 \text{ mm}$   
 Chipboard screw  $\text{\O} 4 \times 16 \text{ mm}$   
 Screw head  $\text{\O} 7 \text{ mm}$

40 kg: MET = NL + 3  
 70 kg: MET = NL + 3

LEGEND

FR	Front
KV	Cabinet front edge
L	Length
MET	Minimum installation depth

NL	Nominal length
----	----------------

1

2

3

4

5

6

7

8



# DYNAPRO TIPMATIC

Full extension slide 40/60 kg



- Full extension slide Tipmatic for handle-free fronts
- Tipmatic opening unit integrated into the slide
- Excellent running characteristics
- Fully synchronised slide technology
- Maximum side stability
- Minimum drawer deflection
- The Dynapro slide rail can be combined with wooden drawers

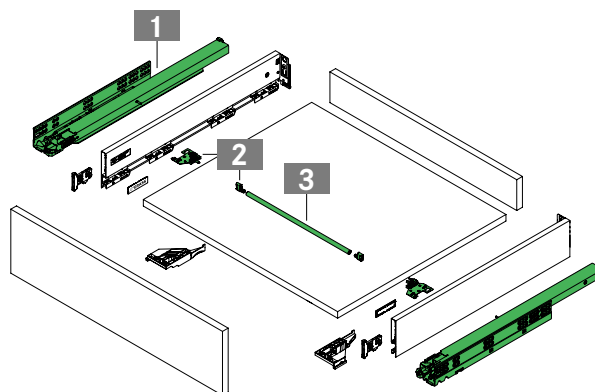
## ORDER INFORMATION

1 Dynapro full extension slide Tipmatic Set: one left, one right					
NL	40 kg		60 kg		
	Art. No.		Art. No.		
270	F130117459		-		
300	F130117460		-		
350	F130117462		-		
400	F130117463		-		
450	F130117465		F130117470		
500	F130117467		F130117471		
550	F130117468		F130117472		
600	-		F130116941		
650	-		F130117474		

2 Synchronisation unit Set: synchronisation module and synchronisation lever, one left, one right					
	40 kg		60 kg		
	Art. No.		Art. No.		
	F134117475		F134117476		

3 Synchronisation rod Single item: for cutting to length					
L	Art. No.				
981	F134116947				

Vionaro drawer sides from page 464 onwards					



## PAGE REFERENCES

Inset panels	482	Organising systems	605		
Application examples	492	Assembly technology	637		
Technical information	498	Assembly aids	664		

PLANNING DIMENSIONS

All dimensions in millimetres

<p>Installation dimensions for slide</p>	<p>Mounting position for front locking device</p>							
<p>Position for the synchronisation rod</p> <table border="1" data-bbox="247 1160 414 1243"> <thead> <tr> <th>NL</th> <th>A</th> </tr> </thead> <tbody> <tr> <td>270 - 300</td> <td>205</td> </tr> <tr> <td>350 - 650</td> <td>241</td> </tr> </tbody> </table>	NL	A	270 - 300	205	350 - 650	241	<p>Cutting dimensions for synchronisation rod</p>	<p>Minimum front gap</p>
NL	A							
270 - 300	205							
350 - 650	241							

Mounting positions for full extension slide

Hardware list:  
 Euro screw Ø 6.3 x 14 mm  
 Chipboard screw Ø 4 x 16 mm  
 Screw head Ø 7 mm

Weight and MET specifications:  
 MET = NL + 3  
 40 kg  
 60 kg

LEGEND

FR Front  
 KV Cabinet front edge  
 L Length  
 LWK Inside cabinet width

MET Minimum installation depth  
 NL Nominal length

1

2

3

4

5

6

7

8

# VIONARO

## Inset panel for inset drawer H89

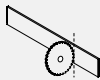



- Colour-coordinated front panel profile made of aluminium
- Smooth inner and outer sides provide a high-quality look

### Notes:

- Front-bottom connector recommended for KB 600 mm and above

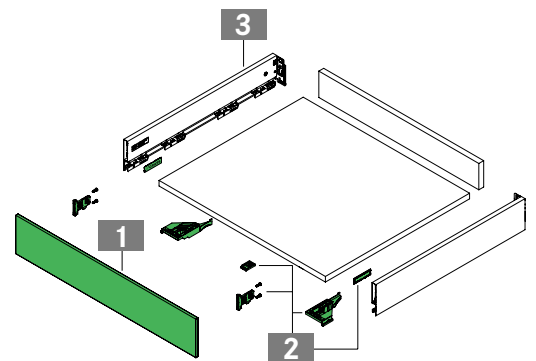
### ORDER INFORMATION

<b>1</b> Inset panel for inset drawer H89 Single item: for cutting to length												
L	Silver grey			Graphite			Snow white					
	Art. No.			Art. No.			Art. No.					
1160	<b>F136122619</b>			<b>F136120538</b>			<b>F136120569</b>					

<b>2</b> Vionaro accessories for inset drawer H89 Set: cover caps for inset panel (2x), cover caps for drawer side (inside, with embossed GRASS logo) (2x), front-bottom connectors (1x), front holders (2x), front locking devices (2x) and special screws (4x)													
	Description	Silver grey			Graphite			Snow white					
		Art. No.			Art. No.			Art. No.					
	For screw fitting	<b>F136100277</b>			<b>F136100278</b>			<b>F136100279</b>					

<b>3</b> Vionaro drawer sides H89, see page 468	
---	---

Dynapro slides from page 476 onwards	
--------------------------------------	---

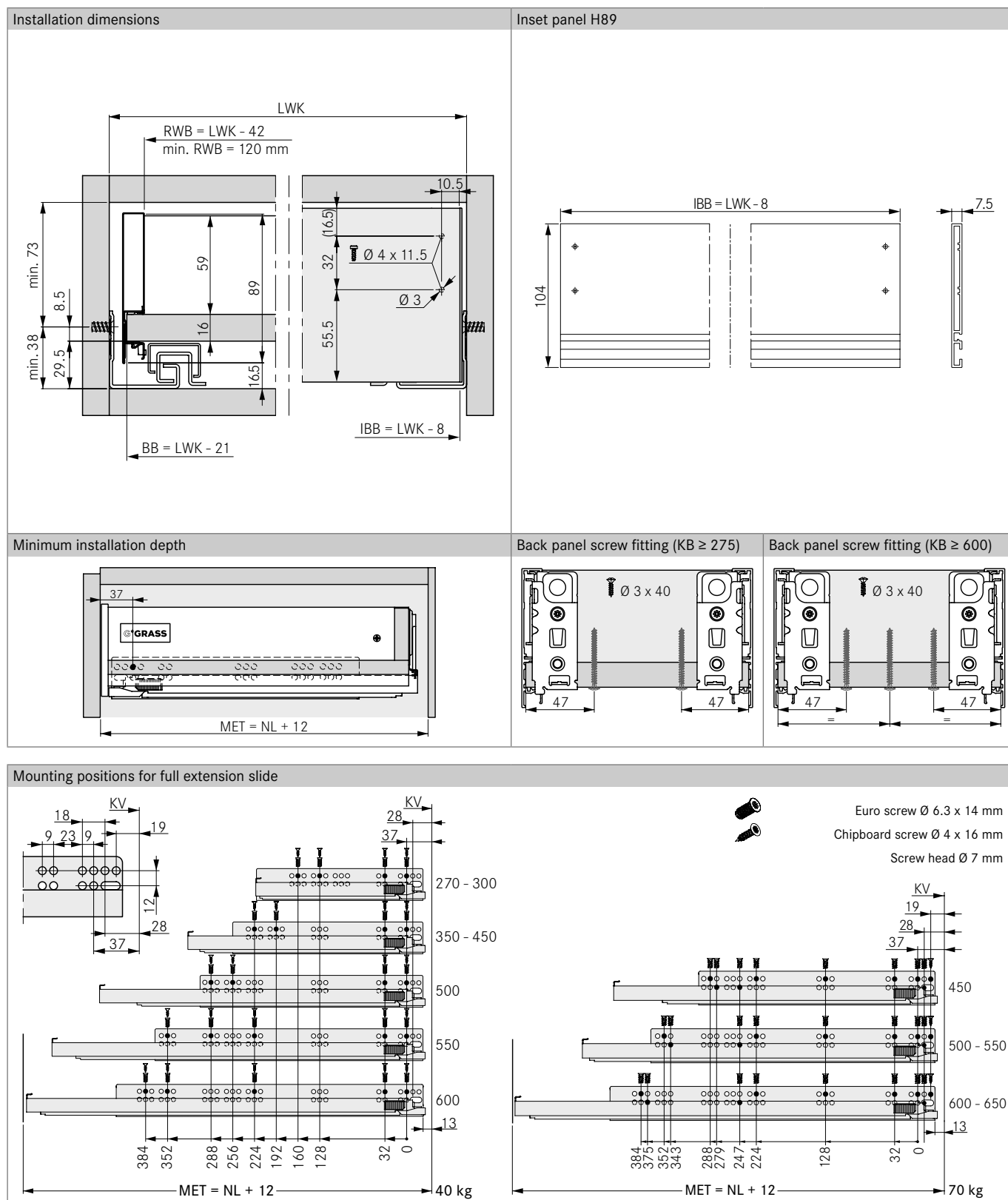


### PAGE REFERENCES

Application examples	492	Sensomatic	617		
Technical information	498	Assembly technology	637		
Organising systems	605	Assembly aids	664		

**PLANNING DIMENSIONS**

All dimensions in millimetres



**LEGEND**

BB	Bottom panel width	LWK	Inside cabinet width
IBB	Inset panel width	MET	Minimum installation depth
KB	Cabinet width	NL	Nominal length
KV	Cabinet front edge	RWB	Back panel width



# VIONARO

## Inset panel for inset drawer H121



- Colour-coordinated front panel profile made of aluminium
- Smooth inner and outer sides provide a high-quality look

### Notes:

- Front-bottom connector recommended for KB 600 mm and above

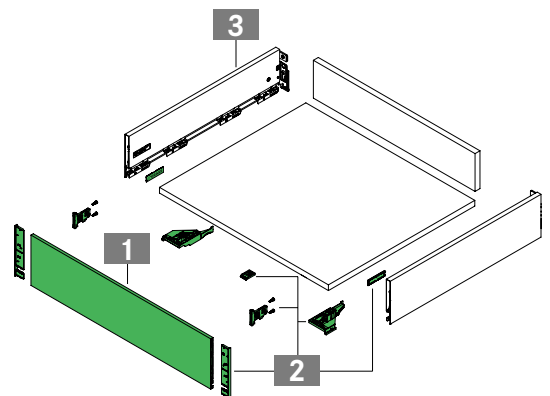
### ORDER INFORMATION

<b>1</b> Inset panel for inset drawer H121 Single item: for cutting to length						
L	Silver grey		Graphite		Snow white	
	Art. No.		Art. No.		Art. No.	
1160	<b>F136107484</b>		<b>F136107485</b>		<b>F136107486</b>	

<b>2</b> Vionaro accessories for inset drawer H121 Set: cover caps for inset panel (2x), cover caps for drawer side (inside, with embossed GRASS logo) (2x), front-bottom connector (1x), front holders (2x), front locking devices (2x) and special screws (4x)						
Description	Silver grey		Graphite		Snow white	
	Art. No.		Art. No.		Art. No.	
For screw fitting	<b>F136107488</b>		<b>F136107489</b>		<b>F136107490</b>	

<b>3</b> Vionaro drawer sides H121, see page 470	
--	--

Dynapro slides from page 476 onwards	
--------------------------------------	--

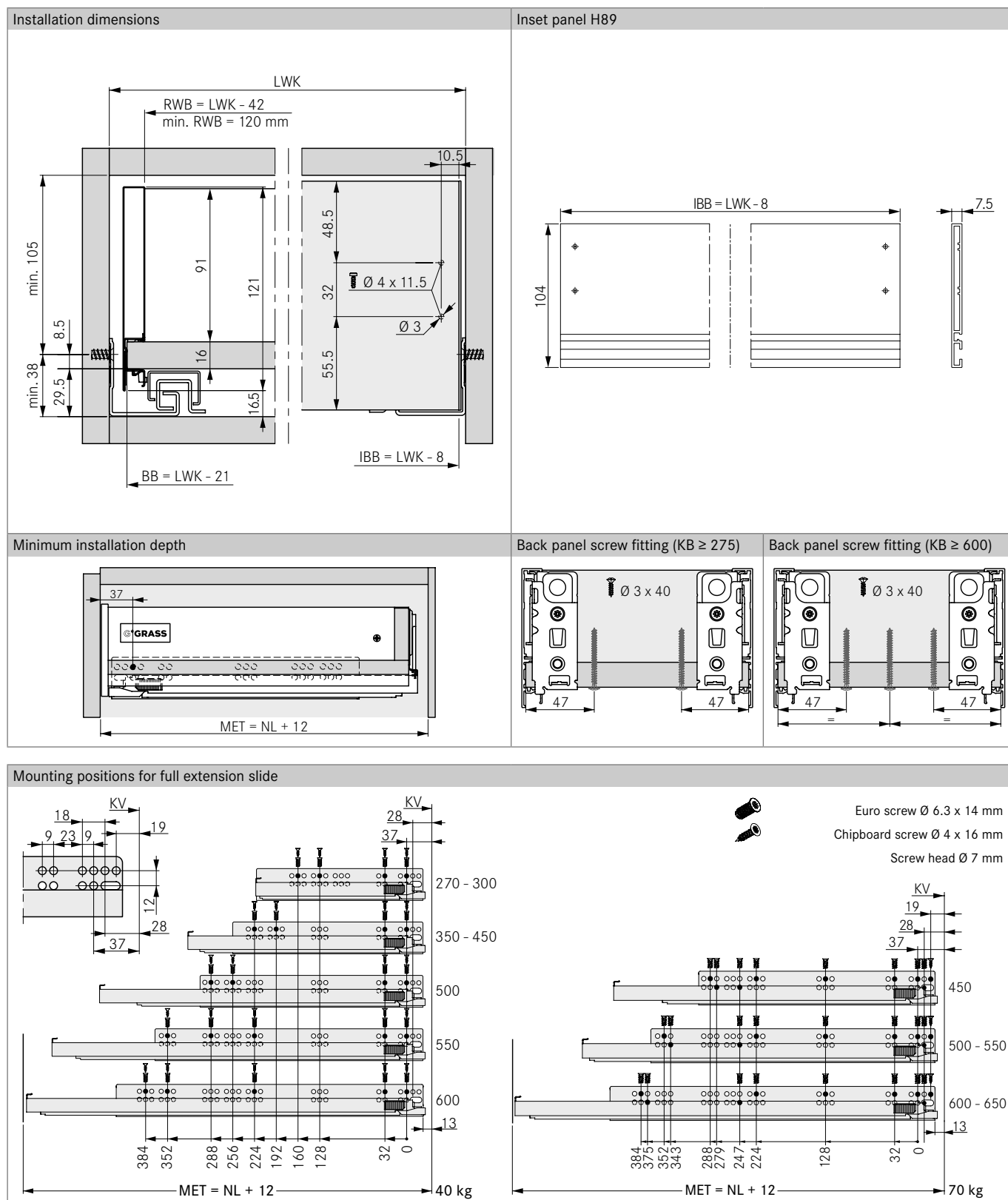


### PAGE REFERENCES

Application examples	492	Sensomatic	617		
Technical information	498	Assembly technology	637		
Organising systems	605	Assembly aids	664		

**PLANNING DIMENSIONS**

All dimensions in millimetres



**LEGEND**

<b>BB</b>	Bottom panel width	<b>LWK</b>	Inside cabinet width
<b>IBB</b>	Inset panel width	<b>MET</b>	Minimum installation depth
<b>KB</b>	Cabinet width	<b>NL</b>	Nominal length
<b>KV</b>	Cabinet front edge	<b>RWB</b>	Back panel width



# VIONARO

## Inset panel for inset drawer H185



- Colour-coordinated front panel profile made of aluminium
- Smooth inner and outer sides provide a high-quality look

### Notes:

- Front-bottom connector recommended for KB 600 mm and above

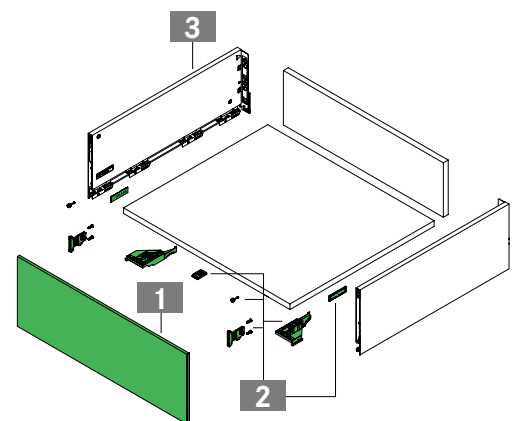
### ORDER INFORMATION

<b>1</b> Inset panel for inset drawer H185 Single item: for cutting to length						
L	Silver grey		Graphite		Snow white	
	Art. No.		Art. No.		Art. No.	
1160	<b>F136122669</b>		<b>F136120539</b>		<b>F136120589</b>	

<b>2</b> Vionaro accessories for inset drawer H185 Set: cover caps for inset panel (2x), cover caps for drawer side (inside, with embossed GRASS logo) (2x), front-bottom connector (1x), front holders (2x), front stabilisers (2x), front locking devices (2x) and special screws (4x)						
Description	Silver grey		Graphite		Snow white	
	Art. No.		Art. No.		Art. No.	
For screw fitting	<b>F136100318</b>		<b>F136100319</b>		<b>F136100320</b>	

<b>3</b> Vionaro drawer sides H185, see page 472	
--	--

Dynapro slides from page 476 onwards	
--------------------------------------	--

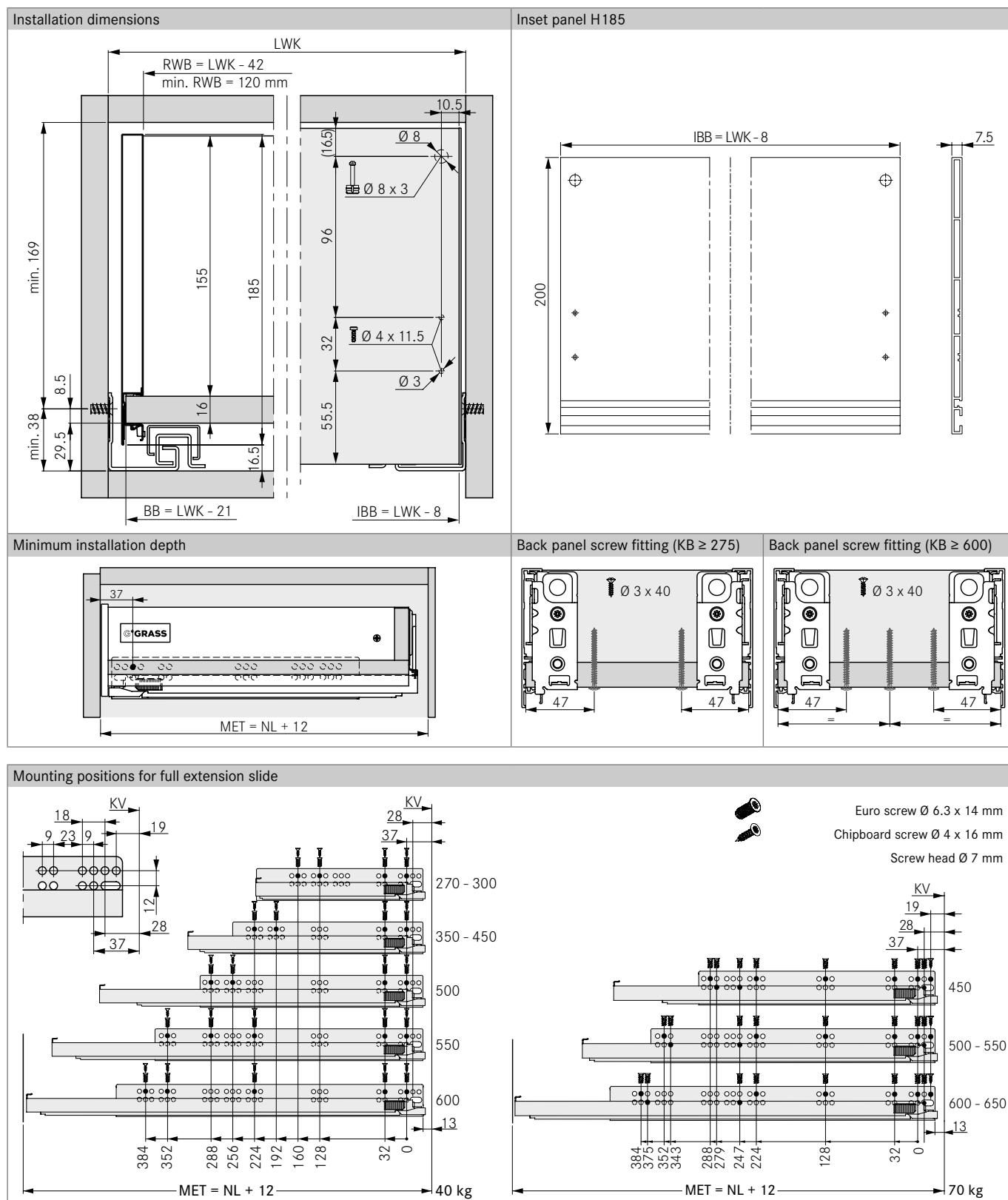


### PAGE REFERENCES

Application examples	492	Sensomatic	617		
Technical information	498	Assembly technology	637		
Organising systems	605	Assembly aids	664		

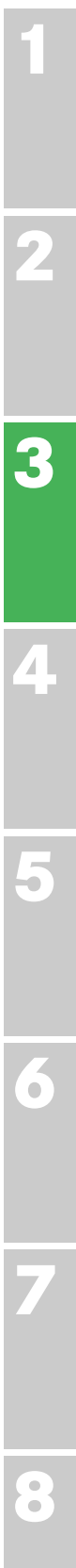
**PLANNING DIMENSIONS**

All dimensions in millimetres



**LEGEND**

<b>BB</b>	Bottom panel width	<b>LWK</b>	Inside cabinet width
<b>IBB</b>	Inset panel width	<b>MET</b>	Minimum installation depth
<b>KB</b>	Cabinet width	<b>NL</b>	Nominal length
<b>KV</b>	Cabinet front edge	<b>RWB</b>	Back panel width





# VIONARO

## Crystal inset panel for inset drawer H185



- Colour coordinated with Vionaro
- Elegant design
- Low complexity of parts
- Easy to install
- Slide-in element 6 mm
- No need to machine the slide-in elements
- Same dimensions as standard drawers (inside depth)
- For cutting to length

### Notes:

- Front-bottom connector recommended for KB 600 mm and above
- Stabiliser recommended for KB 600 mm and above

## ORDER INFORMATION

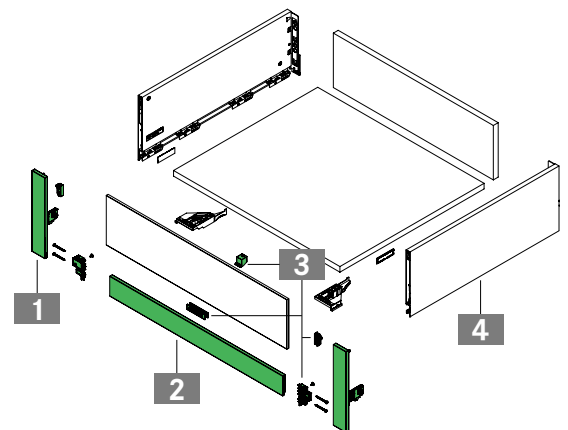
<b>1</b> Bracket for Crystal inset panel H185 Set: with pre-assembled cover cap, front holder and front stabiliser, one left, one right											
H	Silver grey			Graphite			Snow white				
	Art. No.			Art. No.			Art. No.				
H185	F136132544			F136132545			F136132546				

<b>2</b> Cross profile for Crystal inset panel Single item: for cutting to length											
L	Silver grey			Graphite			Snow white				
	Art. No.			Art. No.			Art. No.				
1087	F136132567			F136132588			F136132611				

<b>3</b> Vionaro accessories for Crystal inset drawer H185 Set: profile adapters (2x), profile screws (4x), special screws (2x), stabiliser (2x), front-bottom connectors (2x) and spacers (2x)											
	Silver grey			Graphite			Snow white				
	Art. No.			Art. No.			Art. No.				
	F136132548			F136132549			F136132550				

<b>4</b> Vionaro drawer sides H185, see page 472	
--	--

Dynapro slides from page 476 onwards	
--------------------------------------	--

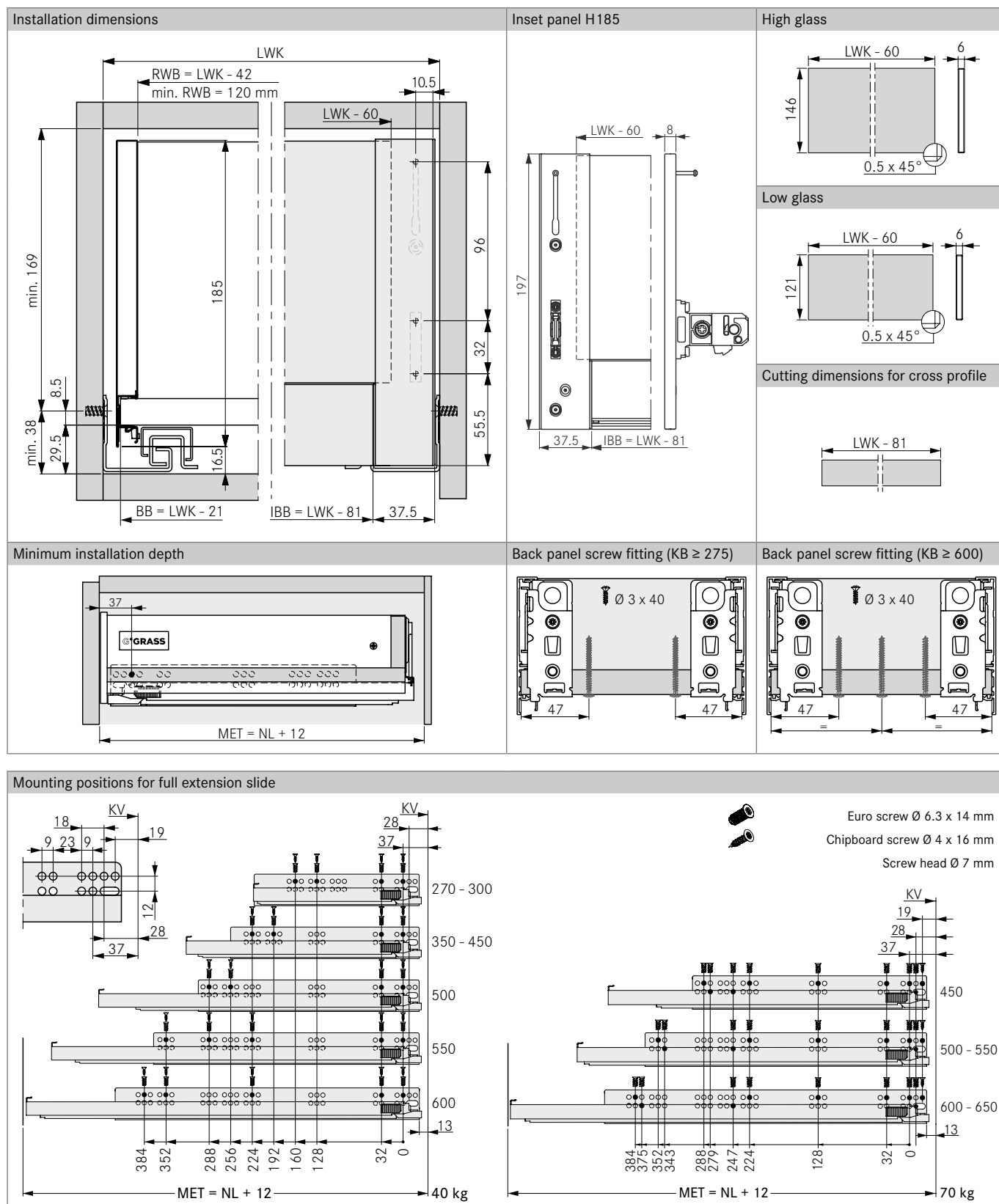


## PAGE REFERENCES

Application examples	492	Sensomatic	617		
Technical information	498	Assembly technology	637		
Organising systems	605	Assembly aids	664		

**PLANNING DIMENSIONS**

All dimensions in millimetres



**LEGEND**

<b>BB</b>	Bottom panel width	<b>LWK</b>	Inside cabinet width
<b>IBB</b>	Inset panel width	<b>MET</b>	Minimum installation depth
<b>KB</b>	Cabinet width	<b>NL</b>	Nominal length
<b>KV</b>	Cabinet front edge	<b>RWB</b>	Back panel width



Drawer H63	Drawer H89/H121
<b>Required:</b> 2 x <b>1</b> 1 x <b>3</b> 2 x <b>5</b>	<b>Required:</b> 2 x <b>2</b> 1 x <b>3</b> 2 x <b>5</b>
<b>Optional:</b> 2 x <b>6</b> 1 x <b>7</b>	<b>Optional:</b> 2 x <b>6</b> 1 x <b>7</b>

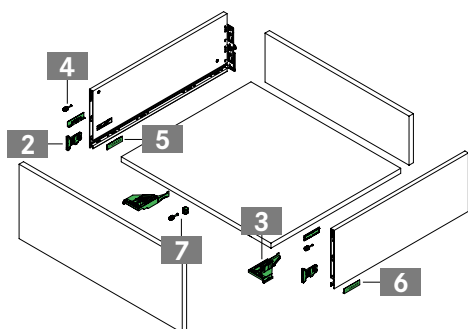
### ORDER INFORMATION

<b>1</b> Front holder H63 Single item: can be used on left/right		<b>2</b> Front holder H89/H121/H185/H249 Single item: can be used on left/right		
Description	Art. No.	Description	Art. No.	
For screw fitting	F136118050	For screw fitting	F136116276	
For press fitting	F136118051	For press fitting	F136116271	
		Expansion dowel Ø 8 mm	F136118019	
<b>3</b> Front locking device Set: one left, one right		<b>4</b> Front stabiliser H185/H249 Single item: can be used on left/right		
Description	Art. No.	Description	Art. No.	
	F136107621	Screw-in	F136135000	
		For press fitting Ø 8 mm	F136118030	
		For press fitting Ø 10 mm	F136118012	
<b>5</b> Cover cap for drawer side Single item: can be used on left/right				
Description	Silver grey		Graphite	Snow white
	Art. No.	Art. No.	Art. No.	Art. No.
With GRASS logo	F136118066	F136118068	F136118070	F136118069
Without logo	F136118065	F136118067	F136118069	F136118069
<b>6</b> Branding clip (optional) Single item: can be used on left/right				
Description	Silver grey		Graphite	Snow white
	Art. No.	Art. No.	Art. No.	Art. No.
With GRASS logo	F136118058	F136118059	F136118060	F136118056
Without logo	F136118053	F136118055	F136118056	F136118056

### PAGE REFERENCES

Drawer sides	464	Application examples	492	Sensomatic	617
Tipmatic Soft-close	478	Technical information	498	Assembly technology	637
Inset panels	482	Organising systems	605	Assembly aids	664

**Pot drawer H185/H249**



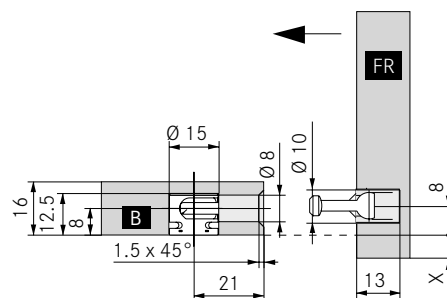
**Required:**

- 2 x **2**
- 1 x **3**
- 2 x **4**
- 2 x **5**

**Optional:**

- 2 x **6**
- 1 x **7**

**Front-bottom connector (optional)**



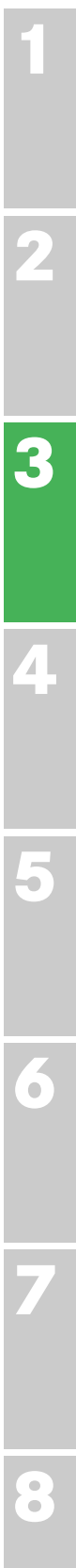
**7** Front-bottom connector for wooden fronts (optional)  
Single item



Description	Art. No.	Description	Art. No.
Recommended for KB 600 mm and above	<b>F148026744</b>		

**LEGEND**

**B** Bottom panel  
**FR** Front  
**KB** Cabinet width

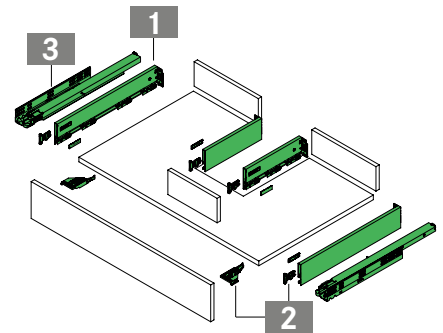


# APPLICATION EXAMPLES

## Sink drawer with cut-out

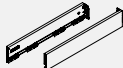


- Maximum storage space utilisation in the sink area through individual combination with shorter drawer sides
- Easy assembly with Vionaro standard products
- Variable width, variable cut-out
- As a regular or pot drawer
- 4-dimensional adjustment
- 90° straight inner and outer sides
- Slim 13 mm drawer side width
- Tool-free fitting of front



### ORDER INFORMATION

**1** Vionaro drawer sides from page 464 onwards




**2** Vionaro accessories from page 464 onwards



**3** Dynapro slides from page 476 onwards

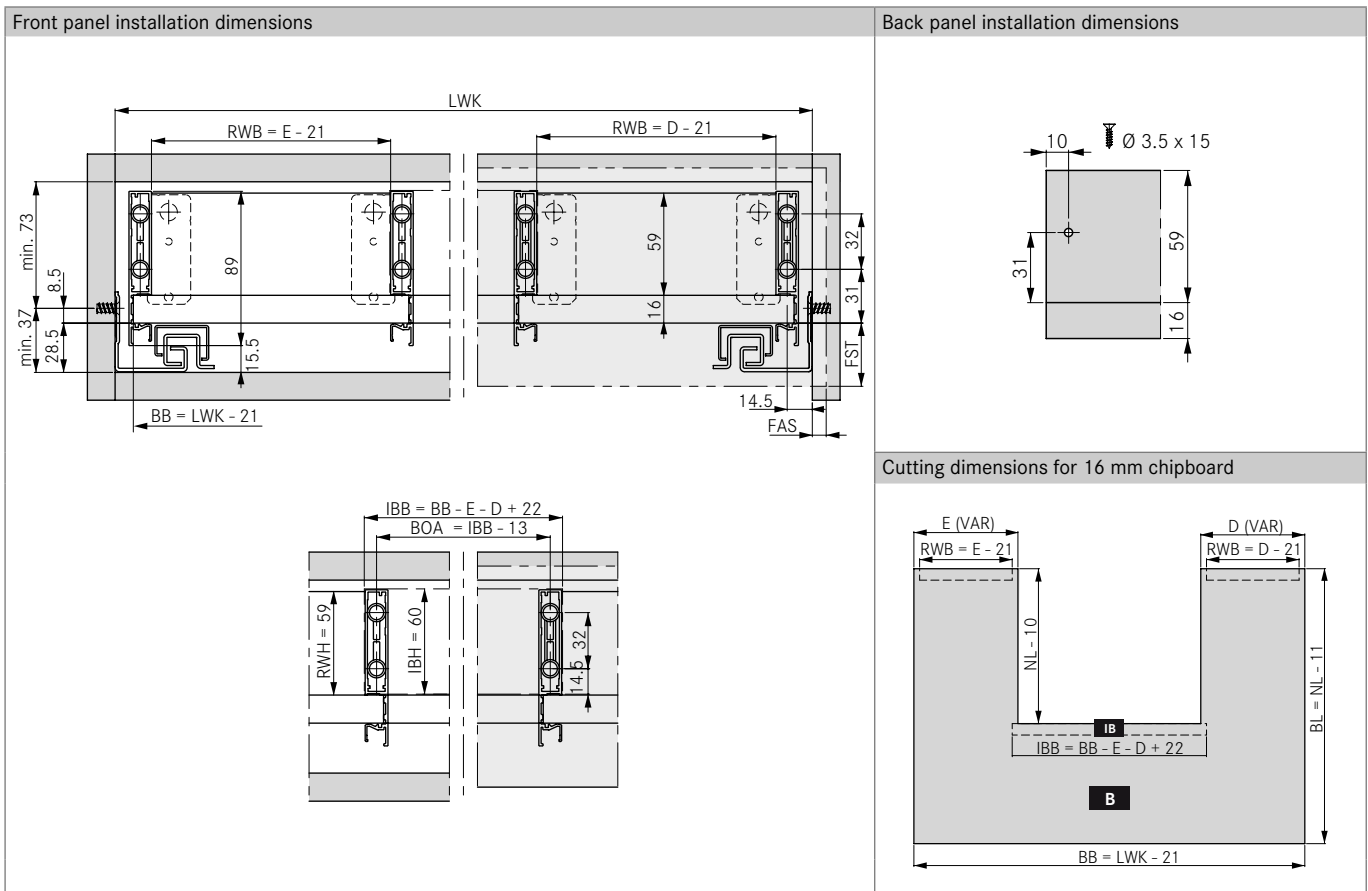


Front-bottom connector (optional) from page 491 onwards



### PLANNING DIMENSIONS

All dimensions in millimetres



### PAGE REFERENCES

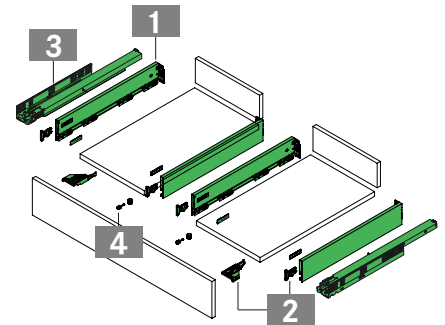
Inset panels	482	Sensomatic	617		
Technical information	498	Assembly technology	637		
Organising systems	605	Assembly aids	664		

# APPLICATION EXAMPLES

## Sink drawer with cut-out



- Simple construction for extra storage space in the sink area
- Easy assembly with Vionaro standard products
- Variable width, variable cut-out
- As a regular or pot drawer
- 4-dimensional adjustment
- 90° straight inner and outer sides
- Slim 13 mm drawer side width
- Tool-free fitting of front



### ORDER INFORMATION

**1** Vionaro drawer sides from page 464 onwards

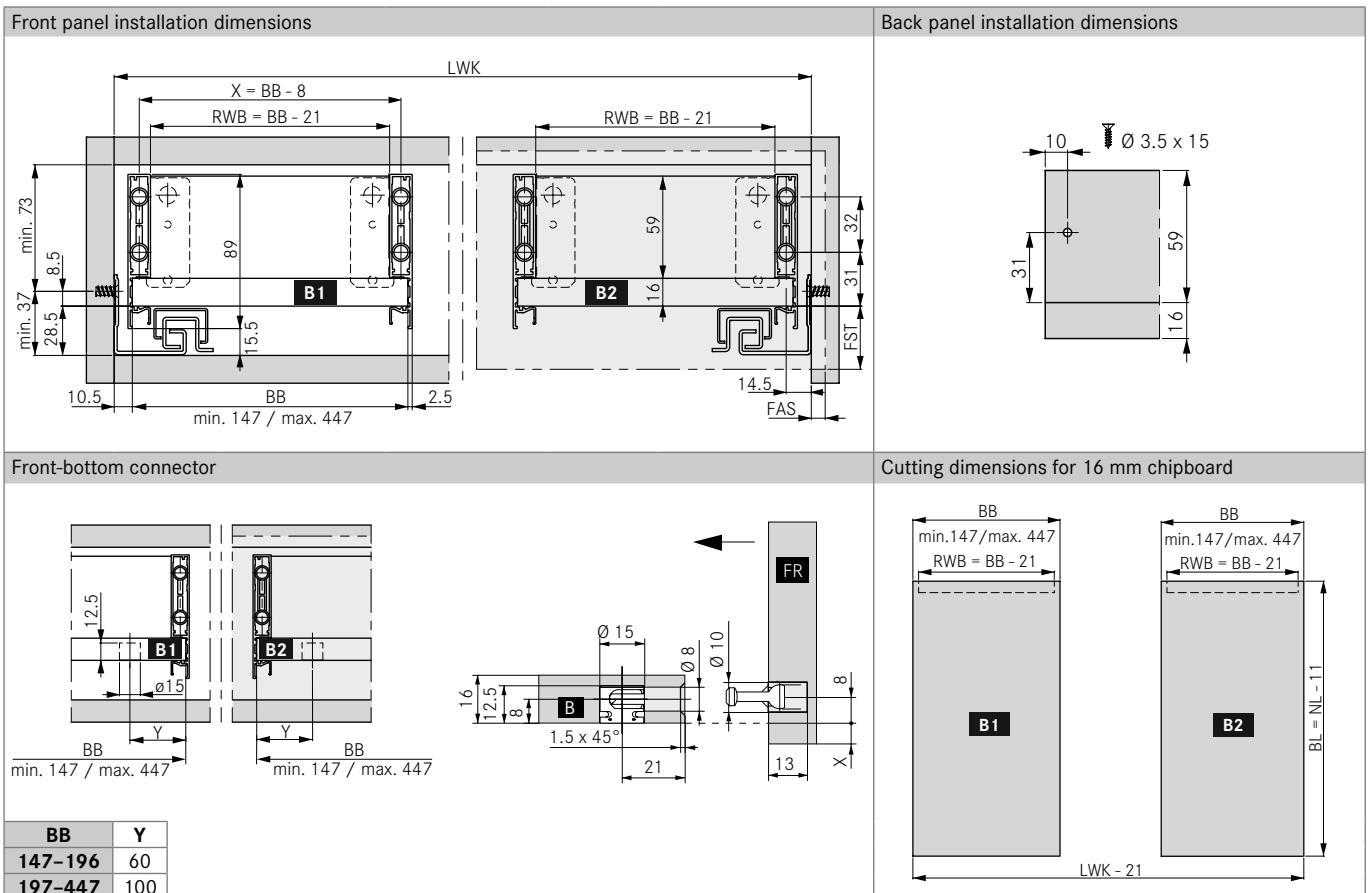
**2** Vionaro accessories from page 464 onwards

**3** Dynapro slides from page 476 onwards

**4** Front-bottom connector from page 491 onwards

### PLANNING DIMENSIONS

All dimensions in millimetres



### LEGEND

B	Bottom panel
BB/BL	Bottom panel width/length
FAS	Front overlay, side
FR	Front

FST	Front overlay
IB	Inset panel
IBB/IBH	Inset panel width/height
LWK	Inside cabinet width

NL	Nominal length
RW	Back panel
RWB/RWH	Back panel width/height
VAR	Variable




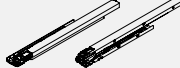


# APPLICATION EXAMPLES

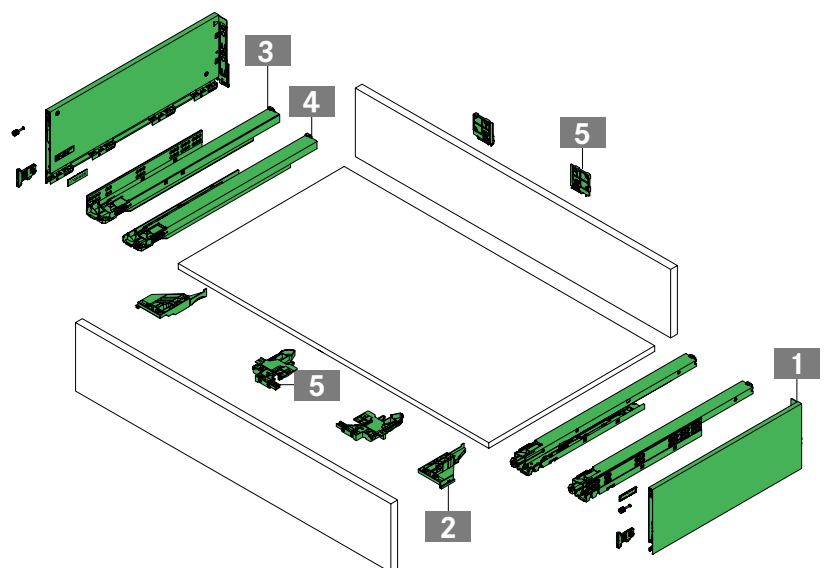
## Extra-wide pot drawer



- Extra-wide Vionaro drawer for cabinet without additional centre wall
- Modern furniture design with large fronts and no lost storage space
- Ideal for living room storage systems or bed drawers
- Made possible thanks to the combination of Dynapro standard slides with Dynapro for base panel mounting

### ORDER INFORMATION

<b>1</b> Vionaro drawer sides H185 from page 472 onwards		<b>2</b> Vionaro accessories from page 464 onwards	
<b>3</b> Dynapro full extension slide Soft-close from page 476 onwards		<b>4</b> Dynapro full extension slide Soft-close for base panel mounting from page 544 onwards	
<b>5</b> Dynapro 3D set front locking device (2D) and adjustment adapter (1D) from page 536 onwards		<b>Front-bottom connector (optional)</b> from page 491 onwards	



### PAGE REFERENCES

Inset panels	482	Sensomatic	617		
Technical information	498	Assembly technology	637		
Organising systems	605	Assembly aids	664		





# APPLICATION EXAMPLES

## Tall cabinet



- Practical tall cabinet application in elegant Vionaro design
- Easy assembly with Vionaro standard products
- 90° straight inner and outer sides
- Slim 13 mm drawer side width
- Tool-free fitting of front
- 4-dimensional adjustment
- Internal dividing and organising elements available as accessories

### Notes:

- Cabinet and accessories for illustration purposes only
- We recommend testing the application (trial fitting) for each individual case

### ORDER INFORMATION

**1** Vionaro drawer sides H121 from page 470 onwards

**2** Vionaro drawer sides H185 from page 472 onwards

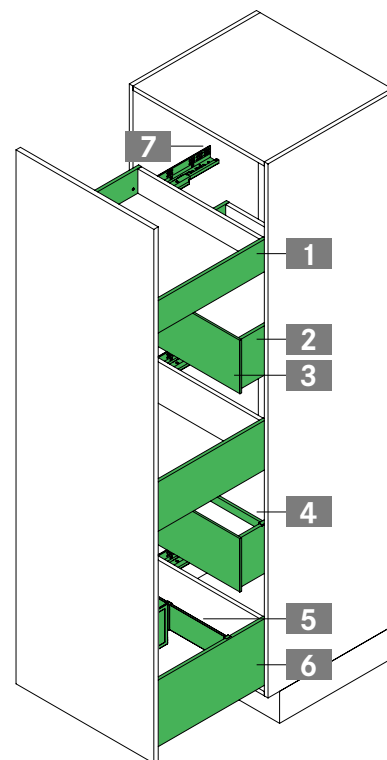
**3** Vionaro inset panel from page 482 onwards

**4** Vionaro cross rail from page 614 onwards

**5** Tavinea Optima from page 612 onwards

**6** Vionaro drawer sides H249 from page 474 onwards

**7** Dynapro slides from page 476 onwards



### PAGE REFERENCES

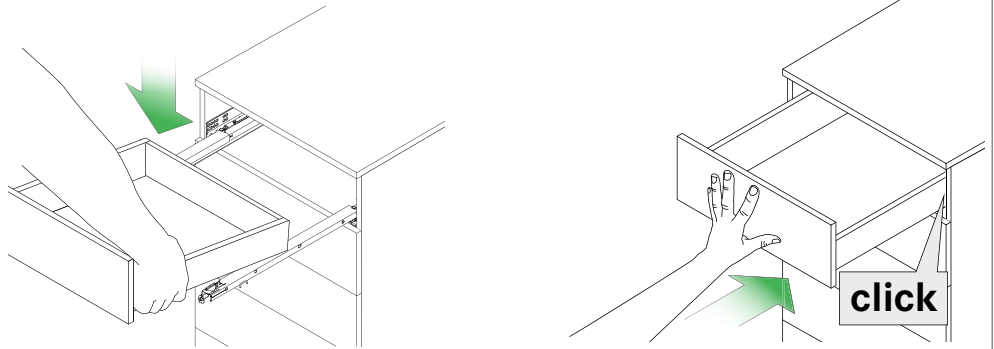
Inset panels	482	Sensomatic	617		
Technical information	498	Assembly technology	637		
Organising systems	605	Assembly aids	664		

1
2
3
4
5
6
7
8

### INSERTION/REMOVAL

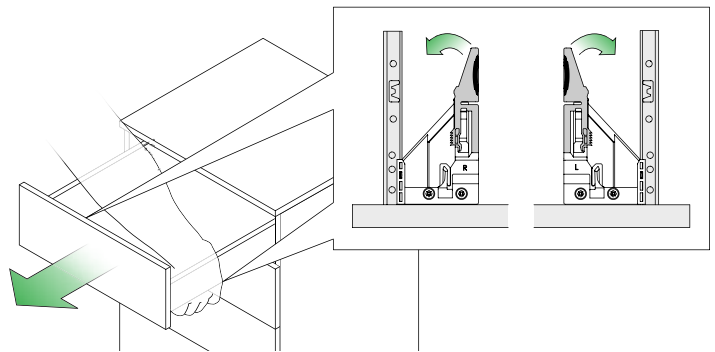
#### Inserting the drawer

Place the drawer on the extended slides.  
Slide the drawer in fully.  
**The drawer will engage automatically!**



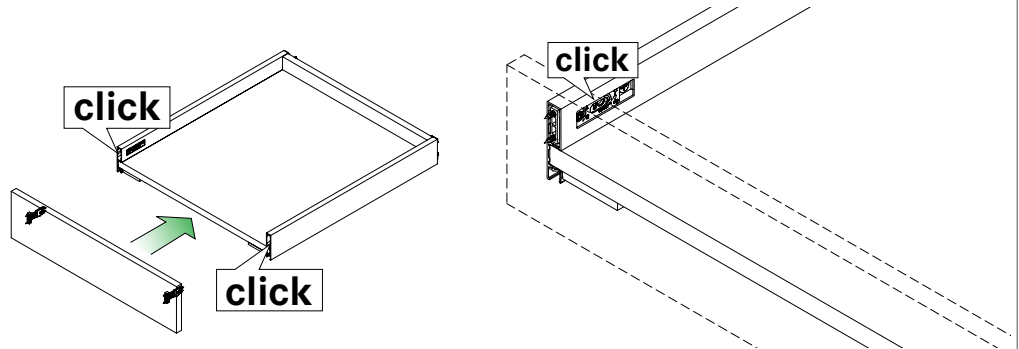
#### Removing the drawer

Pull out the drawer, actuate the lever of the front locking device on both sides and pull the drawer forwards, away from the slide.



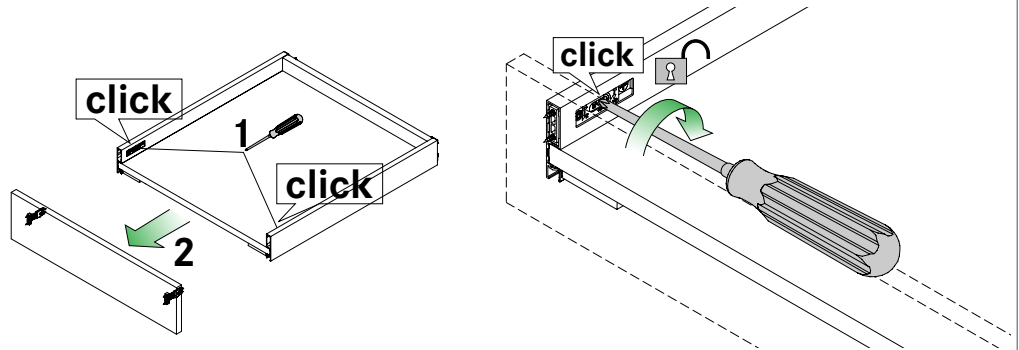
#### Front panel assembly

Slide the front holder into the drawer sides. The front panel clips automatically into place and is fixed.



#### Front panel disassembly

Release using a Pozidriv No. 2 screwdriver.

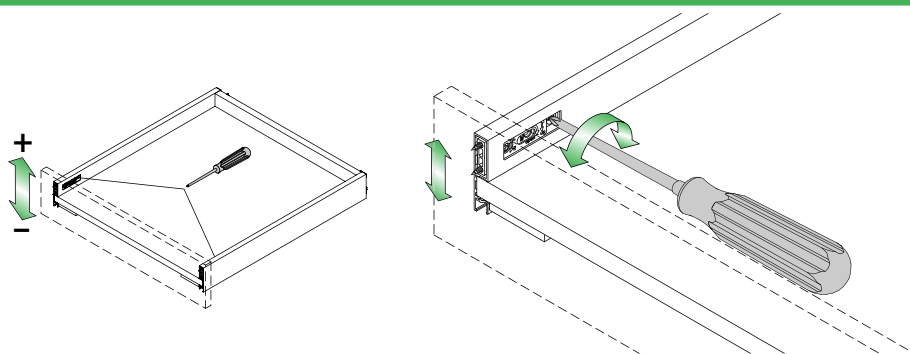


### PAGE REFERENCES

Drawer sides	464	Application examples	492	Assembly technology	637
Slides	476	Organising systems	605	Assembly aids	664
Inset panels	482	Sensomatic	617		

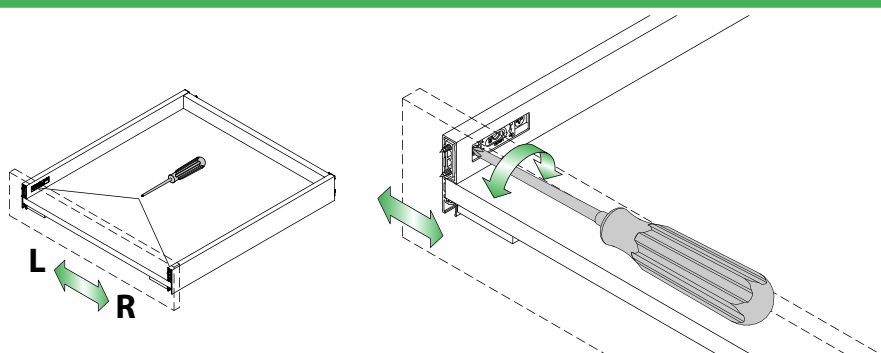
## ADJUSTMENTS

### Cam height adjustment (+2/-1 mm)

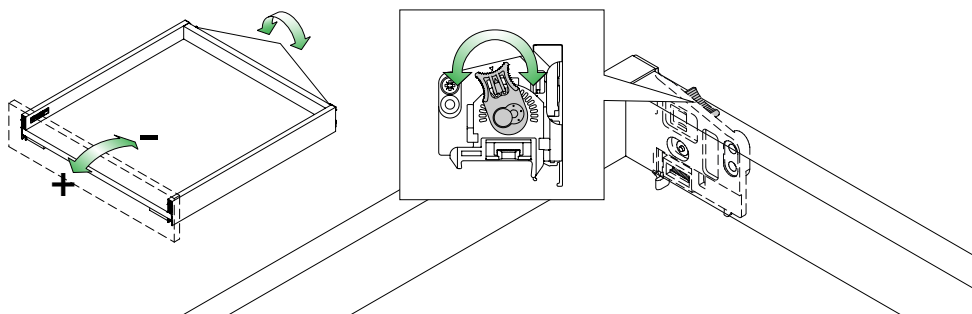


### Side adjustment ( $\pm 1.5$ mm)

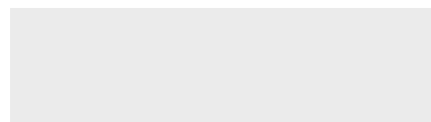
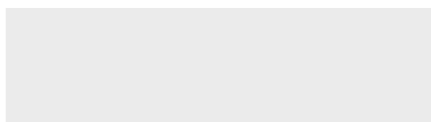
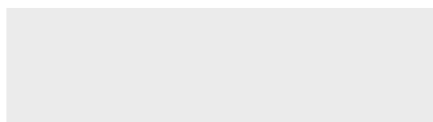
Perform on both sides.



### Front tilt angle adjustment (+2/-1 mm)



## LEGEND



1

2

3

4

5

6

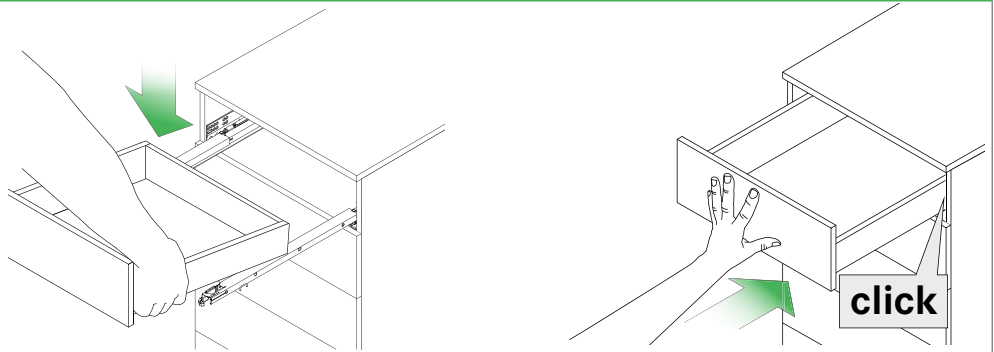
7

8

### INSERTION/REMOVAL

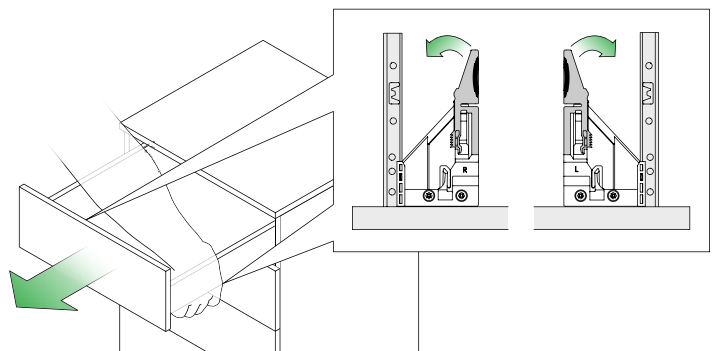
#### Inserting the drawer

Place the drawer on the extended slides.  
Slide the drawer in fully.  
**The drawer will engage automatically!**



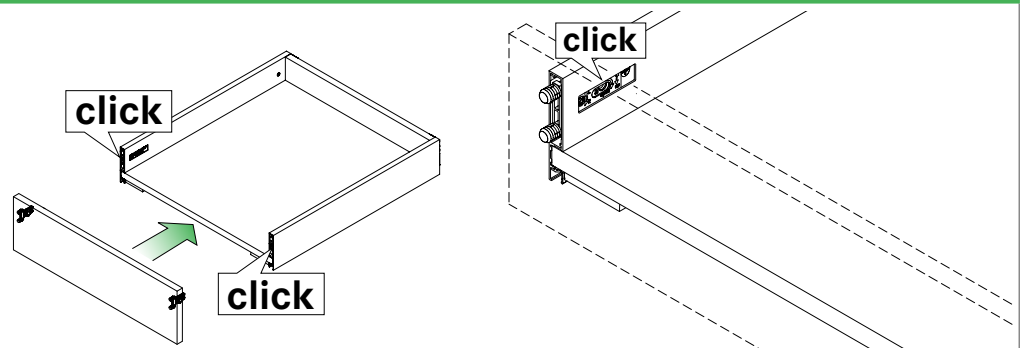
#### Removing the drawer

Pull out the drawer, actuate the lever of the front locking device on both sides and pull the drawer forwards, away from the slide.



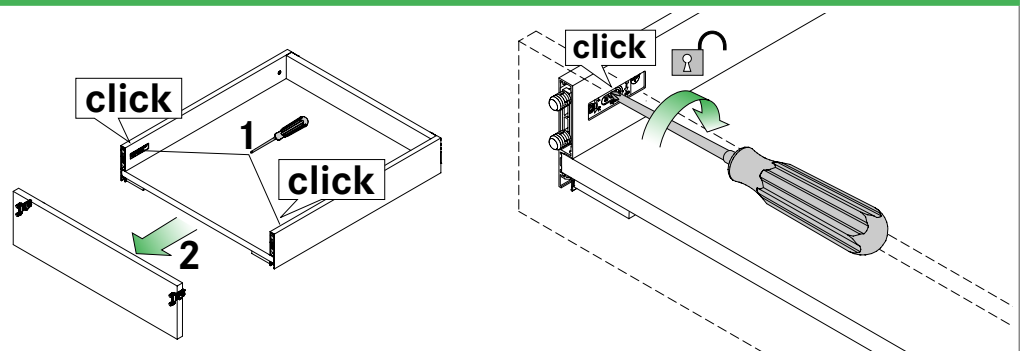
#### Front panel assembly

Slide the front holder into the drawer sides. The front panel clips automatically into place and is fixed.



#### Front panel disassembly

Release using a Pozidriv No. 2 screwdriver.

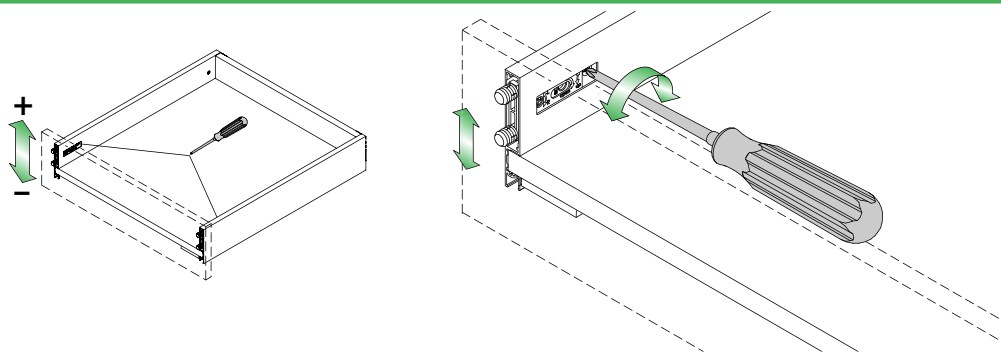


### PAGE REFERENCES

Drawer sides	464	Application examples	492	Assembly technology	637
Slides	476	Organising systems	605	Assembly aids	664
Inset panels	482	Sensomatic	617		

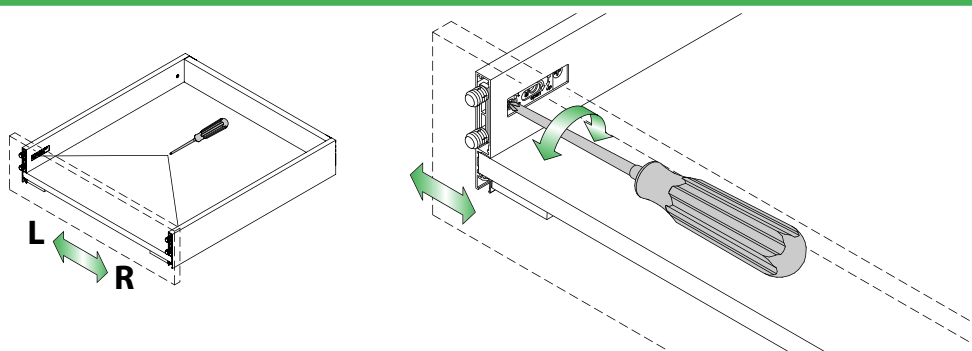
## ADJUSTMENTS

### Cam height adjustment (+2.5/-1.5 mm)

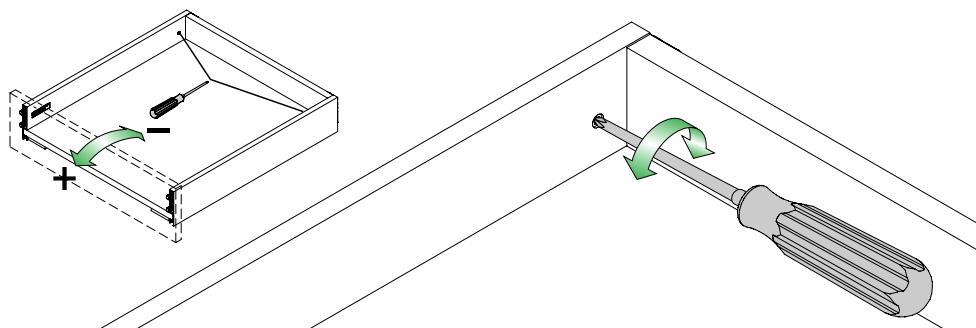


### Side adjustment ( $\pm 1.5$ mm)

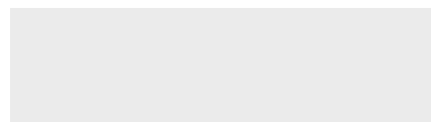
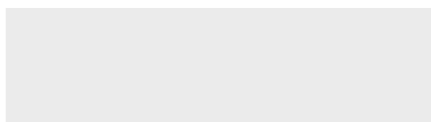
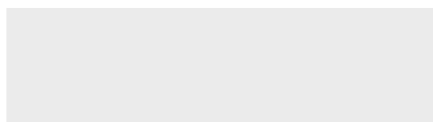
Perform on both sides.



### Front tilt angle adjustment (+2.5/-1.5 mm)



## LEGEND



1

2

3

4

5

6

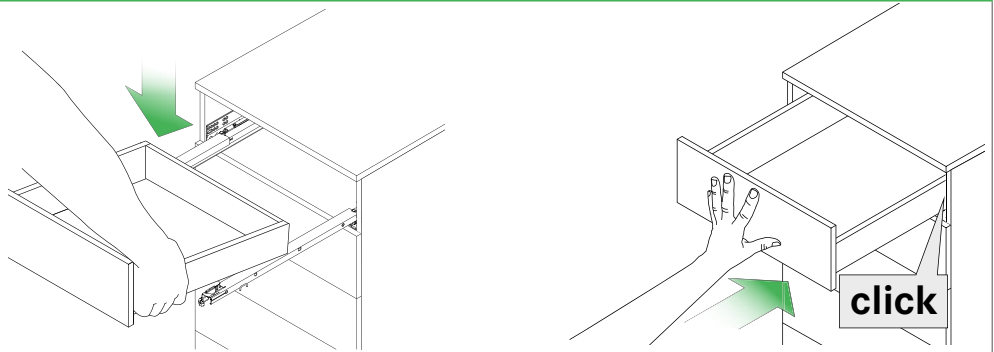
7

8

### INSERTION/REMOVAL

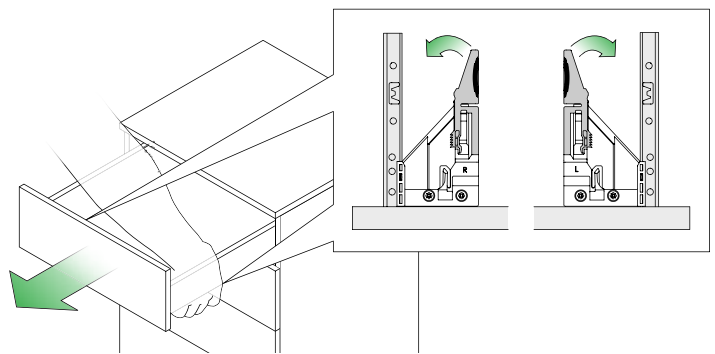
#### Inserting the drawer

Place the drawer on the extended slides.  
Slide the drawer in fully.  
**The drawer will engage automatically!**



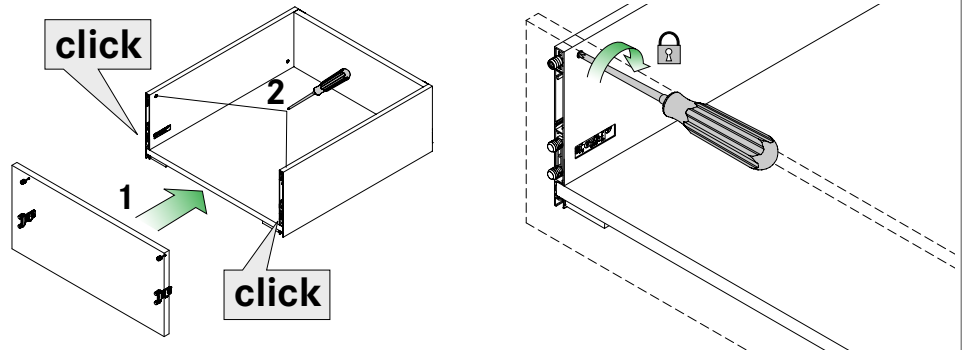
#### Removing the drawer

Pull out the drawer, actuate the lever of the front locking device on both sides and pull the drawer forwards, away from the slide.



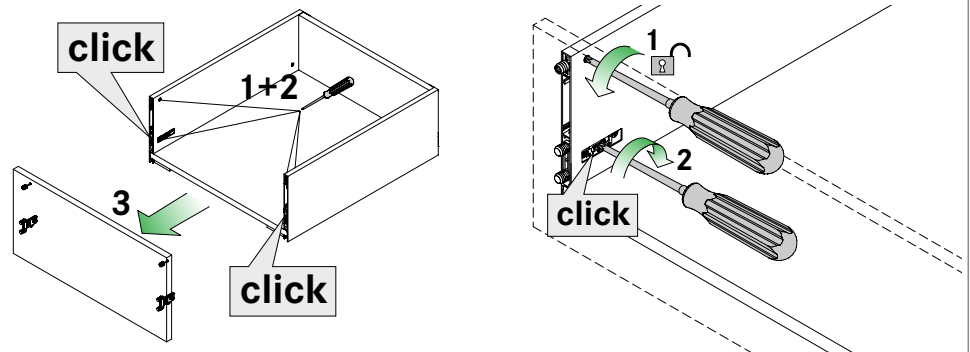
#### Front panel assembly

Slide the front holder into the drawer sides. The front panel automatically snaps in, fix the front stabiliser.



#### Front panel disassembly

Release using a Pozidriv No. 2 screwdriver.

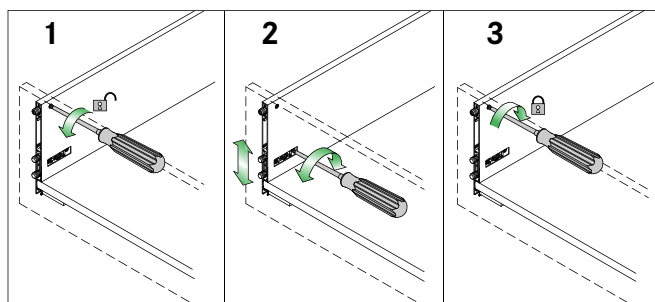
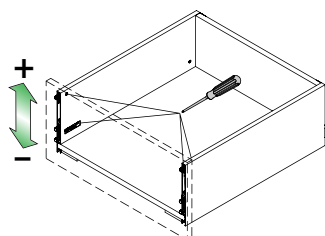


### PAGE REFERENCES

Drawer sides	464	Application examples	492	Assembly technology	637
Slides	476	Organising systems	605	Assembly aids	664
Inset panels	482	Sensomatic	617		

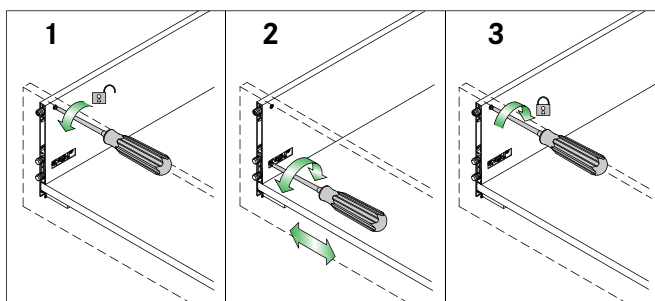
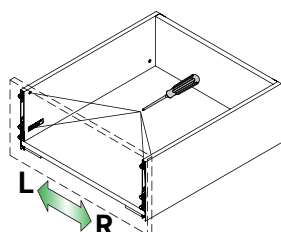
## ADJUSTMENTS

### Cam height adjustment (+2.5/-1.5 mm)

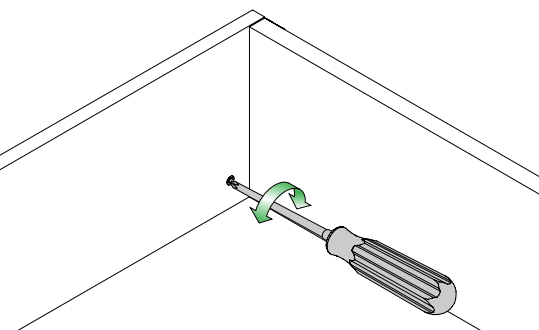
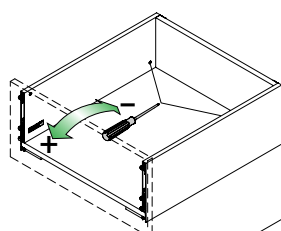


### Side adjustment ( $\pm 1.5$ mm)

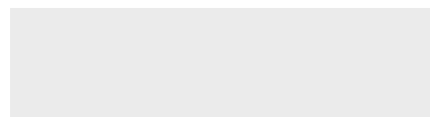
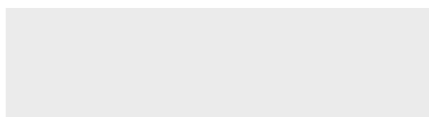
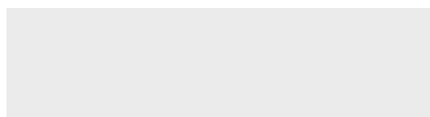
Perform on both sides.



### Front tilt angle adjustment (+2.5/-1.5 mm)



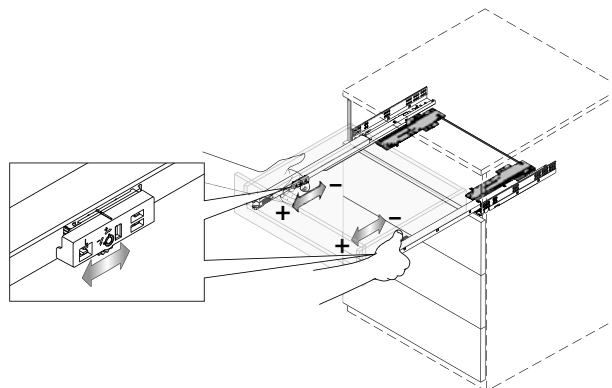
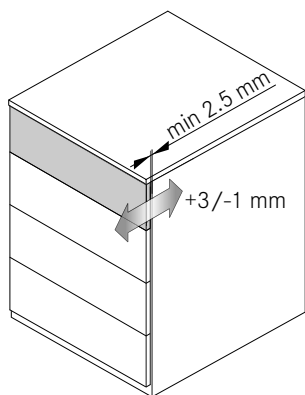
## LEGEND



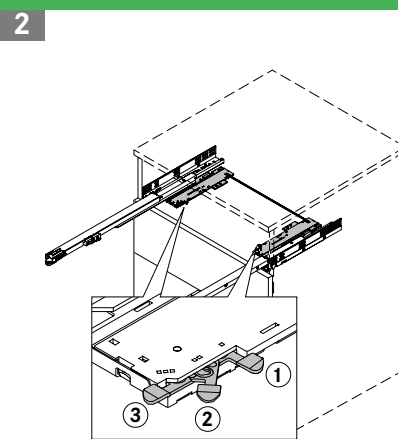
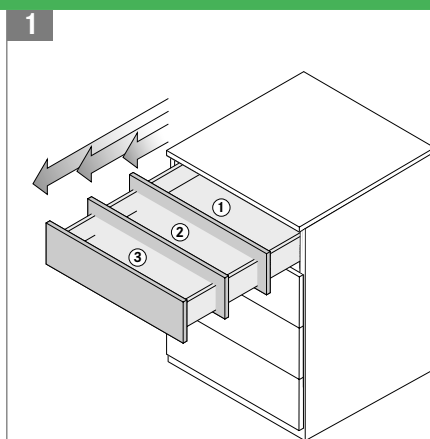
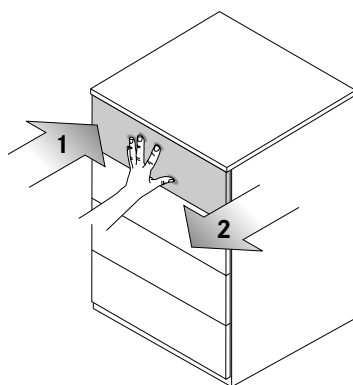


### DYNAPRO TIPMATIC SOFT-CLOSE

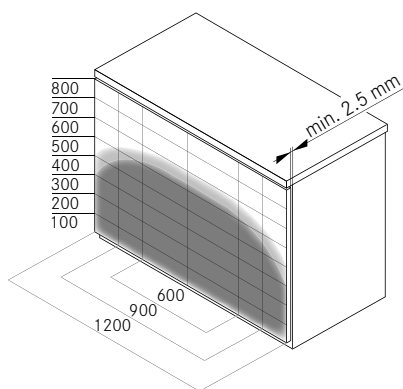
#### Front gap adjustment (+3 mm/-1 mm)



#### Opening force



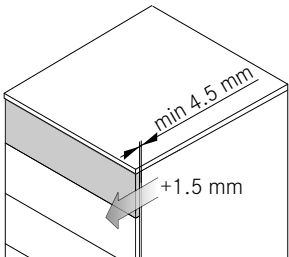
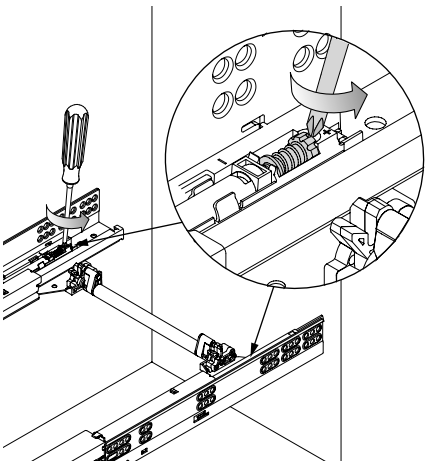
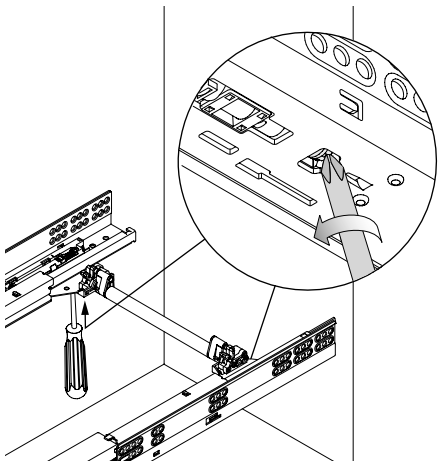
#### Activation zone



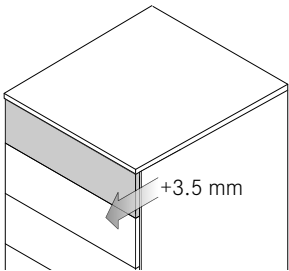
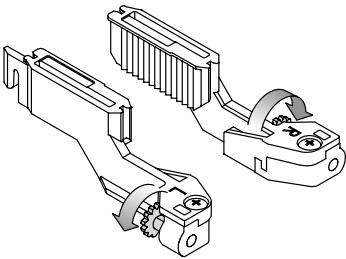

#### PAGE REFERENCES

Drawer sides	464	Application examples	492	Assembly technology	637
Slides	476	Organising systems	605	Assembly aids	664
Inset panels	482	Sensomatic	617		

## DYNAPRO TIPMATIC

Front gap adjustment (max. +1.5 mm)	Front gap adjustment from above	Front gap adjustment from below
<p>The reliable opening and closing of the drawer depends on the front gap setting (min. 4.5 mm = factory setting). If the front height is greater than 300 mm, the front gap must be increased to the maximum of 6 mm.</p> 		

## DYNAPRO DEPTH ADJUSTMENT

Depth adjustment (max. +3.5 mm)		
<p>Can be used for Dynapro Soft-close (not compatible with Dynapro Tipmatic and Dynapro Tipmatic Soft-close).</p> 		

## COLOUR REFERENCES

Colour	RAL (similar)	
Silver grey	9006	
Graphite	7015	
Snow white	9003	

## LEGEND

